

Optix Series

LCD Monitor

Optix MAG272C (3CA5)

Optix MAG272CR (3CA5)

Optix MAG272CQR (3CA6)

Optix MAG272CRX (3CA0)

Optix MAG272 (3CA7)

Optix MAG272R (3CA7)

Optix MAG272QP (3CA8)

Optix MAG272QR (3CA8)

Optix MAG272RX (3CB2)

Contents

Copyright and Trademarks Notice	iii
Revision	iii
Technical Support	iii
Safety Instructions.....	iv
CE Conformity.....	vi
FCC-B Radio Frequency Interference Statement	vi
WEEE Statement	vii
Chemical Substances Information	vii
RoHS Statement	vii

Getting Started.....1-1

Package Contents.....	1-2
Installing the Monitor Stand.....	1-3
Adjusting the Monitor	1-8
Monitor Overview	1-10
Connecting the Monitor to PC	1-18

OSD Setup.....2-1

Navi Key.....	2-2
OSD Setup via Navi Key	2-5

AppendixA-1

MAG 272C Series Specifications	A-2
MAG 272C Series Preset Display Modes	A-3
MAG 272 Series Specifications.....	A-5
MAG 272 Series Preset Display Modes.....	A-6
Troubleshooting	A-8

Copyright and Trademarks Notice

Copyright © Micro-Star Int'l Co., Ltd. All rights reserved. The MSI logo used is a registered trademark of Micro-Star Int'l Co., Ltd. All other marks and names mentioned may be trademarks of their respective owners. No warranty as to accuracy or completeness is expressed or implied. MSI reserves the right to make changes to this document without prior notice.

Revision

Revision	Date
V1.0	2019/08

Technical Support

If a problem arises with your product and no solution can be obtained from the user's manual, please contact your place of purchase or local distributor. Alternatively, please visit <https://www.msi.com/support/> for further guidance.

Safety Instructions



- ☑ Read the safety instructions carefully and thoroughly.
- ☑ All cautions and warnings on the device or user's manual should be noted.
- ☑ Refer servicing to qualified personnel only.



Keep the User's Guide that comes with the package for future reference.



To prevent fire or shock hazard, keep this device away from humidity and high temperature.



Lay this device on a reliable flat surface before setting it up.



- ☑ Make sure that the power voltage is within its safety range and has been adjusted properly to the value of 100~240V before connecting the device to the power outlet. Do not disable the protective earth pin from the plug. The device must be connected to an earthed mains socket-outlet.
- ☑ Always disconnect the power cord or switch the wall socket off if the device would be left unused for a certain time to achieve zero energy consumption.



The ventilator on the device is used for air convection and to prevent the device from overheating. Do not cover the ventilator.



Do not leave the device in an unconditioned environment with a storage temperature above 60°C or below -20°C, which may damage the device.

NOTE: The maximum operating temperature is around 40°C.



When cleaning the device, be sure to remove the power plug. Use a piece of soft cloth rather than industrial chemical to clean the device. Never pour any liquid into the opening; that could damage the device or cause electric shock.



Place the power cord in a way that people are unlikely to step on it. Do not place anything on the power cord.



Always keep strong magnetic or electrical objects away from the device.



If any of the following situations arises, get the device checked by service personnel:

- ☑ The power cord or plug is damaged.
- ☑ Liquid has penetrated into the device.
- ☑ The device has been exposed to moisture.
- ☑ The device does not work well or you can not get it work according to user's manual.
- ☑ The device has dropped and damaged.
- ☑ The device has obvious sign of breakage.

Green Product Features

- ☑ Reduced energy consumption during use and stand-by
- ☑ Limited use of substances harmful to the environment and health
- ☑ Easily dismantled and recycled
- ☑ Reduced use of natural resources by encouraging recycling
- ☑ Extended product lifetime through easy upgrades
- ☑ Reduced solid waste production through take-back policy



Environmental Policy

- ☑ The product has been designed to enable proper reuse of parts and recycling and should not be thrown away at its end of life.
- ☑ Users should contact the local authorized point of collection for recycling and disposing of their end-of-life products.
- ☑ Visit the MSI website and locate a nearby distributor for further recycling information.
- ☑ Users may also reach us at gpcontdev@msi.com for information regarding proper disposal, take-back, recycling, and disassembly of MSI products.

★ **Warning!** Overuse of screens is likely to affect eyesight.

★ **Recommendations:**

1. Take a 10-minute break for every 30 minutes of screen time.
2. Children under 2 years of age should have no screen time. For children aged 2 years and over, screen time should be limited to less than one hour per day.

CE Conformity

This device complies with the requirements set out in the Council Directive on the Approximation of the Laws of the Member States relating to Electromagnetic Compatibility (2014/30/EU), Low-voltage Directive (2014/35/EU), ErP Directive (2009/125/EC) and RoHS directive (2011/65/EU). This product has been tested and found to comply with the harmonized standards for Information Technology Equipment published under Directives of Official Journal of the European Union.



FCC-B Radio Frequency Interference Statement



This equipment has been tested and found to comply with the limits for a Class B digital device, pursuant to Part 15 of the FCC Rules. These limits are designed to provide reasonable protection against harmful interference in a residential installation. This equipment generates, uses and can radiate radio frequency energy and, if not installed and used in accordance with the instruction manual, may cause harmful interference to radio communications. However, there is no guarantee that interference will not occur in a particular installation. If this equipment does cause harmful interference to radio or television reception, which can be determined by turning the equipment off and on, the user is encouraged to try to correct the interference by one or more of the measures listed below:

- Reorient or relocate the receiving antenna.
- Increase the separation between the equipment and receiver.
- Connect the equipment into an outlet on a circuit different from that to which the receiver is connected.
- Consult the dealer or an experienced radio/television technician for help.

Notice 1

The changes or modifications not expressly approved by the party responsible for compliance could void the user's authority to operate the equipment.

Notice 2

Shielded interface cables and AC power cord, if any, must be used in order to comply with the emission limits.

This device complies with Part 15 of the FCC Rules. Operation is subject to the following two conditions:

1. this device may not cause harmful interference, and
2. this device must accept any interference received, including interference that may cause undesired operation.

MSI Computer Corp.
901 Canada Court, City of Industry, CA 91748, USA
(626)913-0828
www.msi.com

WEEE Statement

Under the European Union ("EU") Directive on Waste Electrical and Electronic Equipment, Directive 2012/19/EU, which takes effect on August 13, 2005, products of "electrical and electronic equipment" cannot be discarded as municipal waste anymore and manufacturers of covered electronic equipment will be obligated to take back such products at the end of their useful life.



Chemical Substances Information

In compliance with chemical substances regulations, such as the EU REACH Regulation (Regulation EC No. 1907/2006 of the European Parliament and the Council), MSI provides the information of chemical substances in products at:

https://www.msi.com/html/popup/csr/evmtprrt_pcm.html

RoHS Statement

Japan JIS C 0950 Material Declaration

A Japanese regulatory requirement, defined by specification JIS C 0950, mandates that manufacturers provide material declarations for certain categories of electronic products offered for sale after July 1, 2006.

https://www.msi.com/html/popup/csr/cemm_jp.html

https://tw.msi.com/html/popup/csr_tw/cemm_jp.html

India RoHS

This product complies with the "India E-waste (Management and Handling) Rule 2016" and prohibits use of lead, mercury, hexavalent chromium, polybrominated biphenyls or polybrominated diphenyl ethers in concentrations exceeding 0.1 weight % and 0.01 weight % for cadmium, except for the exemptions set in Schedule 2 of the Rule.

Turkey EEE Regulation

Conforms to the EEE Regulations of the Republic Of Turkey

Ukraine Restriction of Hazardous Substances

The equipment complies with requirements of the Technical Regulation, approved by the Resolution of Cabinet of Ministry of Ukraine as of December 3, 2008 № 1057, in terms of restrictions for the use of certain dangerous substances in electrical and electronic equipment.

Vietnam RoHS

As from December 1, 2012, all products manufactured by MSI comply with Circular 30/2011/TT-BCT temporarily regulating the permitted limits for a number of hazardous substances in electronic and electric products.



1

Getting Started

This chapter provides you with the information on hardware setup procedures. While connecting devices, be careful in holding the devices and use a grounded wrist strap to avoid static electricity.

IMPORTANT

- *The illustrations are for reference only. Your monitor may vary in appearance.*
- *Do not use any sharp objects on the monitor.*

Package Contents

1. Monitor
2. Stand
3. Stand Base with Screw
4. Power Cord (MAG272C / MAG272CR / MAG272CQR / MAG272CRX)
5. Power Adapter & Power Cord (MAG272 / MAG272R / MAG272QP / MAG272QR / MAG272RX)
6. HDMI Cable (Optional)
7. DisplayPort Cable (Optional)
8. USB Upstream Cable (to enable the USB ports on the monitor)
9. Quick Start Guide
10. Warranty Card
11. User Manual

* Contact your place of purchase or local distributor if any of the items is damaged or missing.

* Package contents may vary by country.

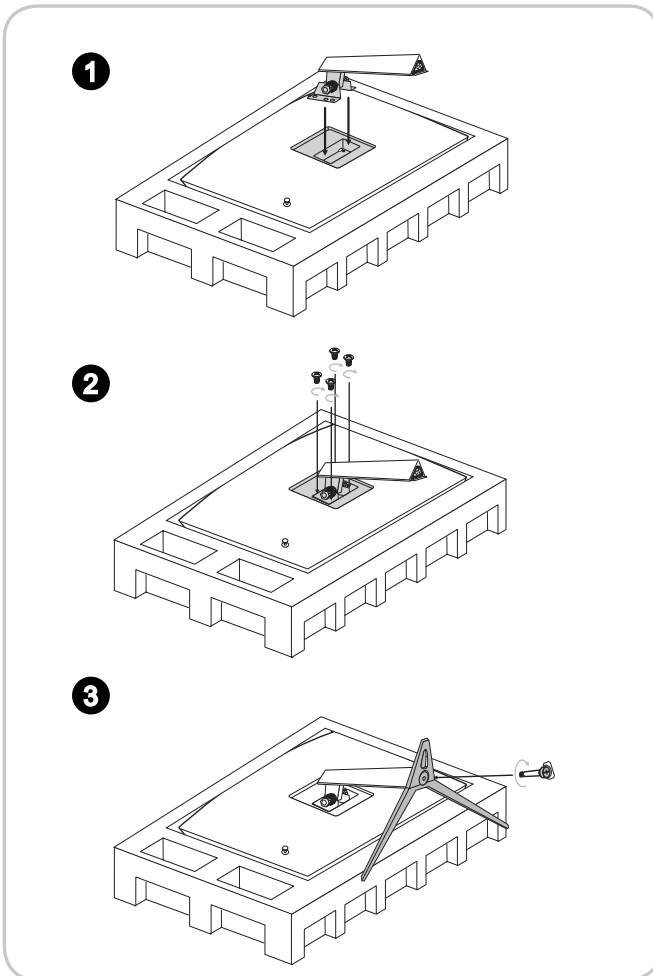
Installing the Monitor Stand

IMPORTANT

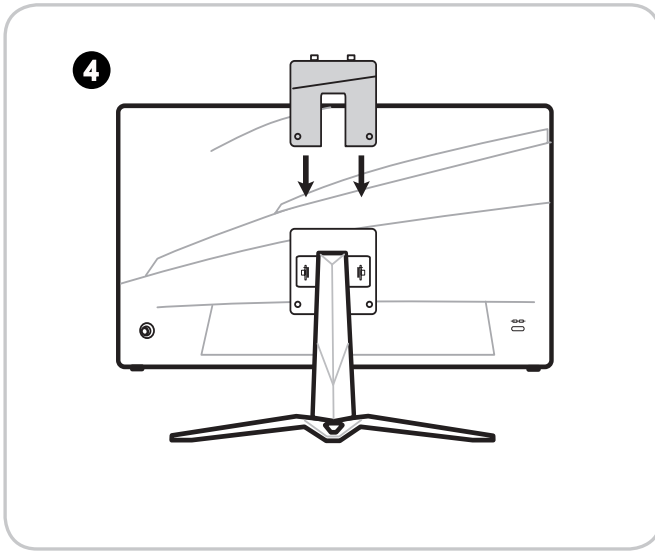
Place the monitor on a soft, protected surface to avoid scratching the display panel.

► **MAG272C**

1. Align the latches of the stand to the monitor.
2. Tighten the stand with the stand screws.
3. Connect the base to the stand and tighten the base screw to secure the base.



4. Align the latches to place the VESA cover and lock the screws.



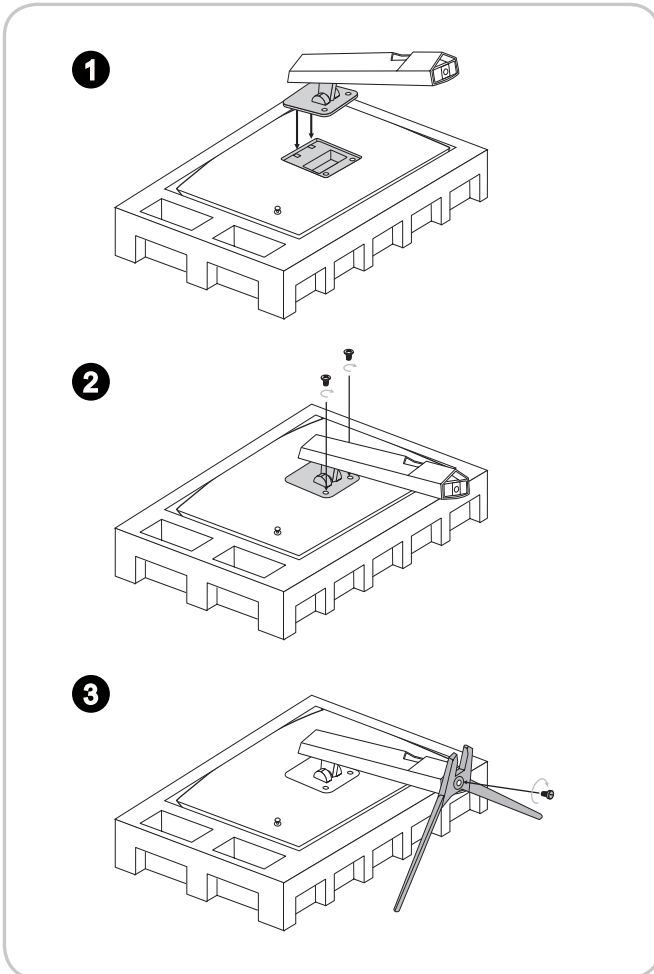
1-4

IMPORTANT

The holes for installing the stand can be also used for wall mount. Please contact your dealer for proper wall mount kit.

► MAG272CR/ MAG272CQR/ MAG272CRX

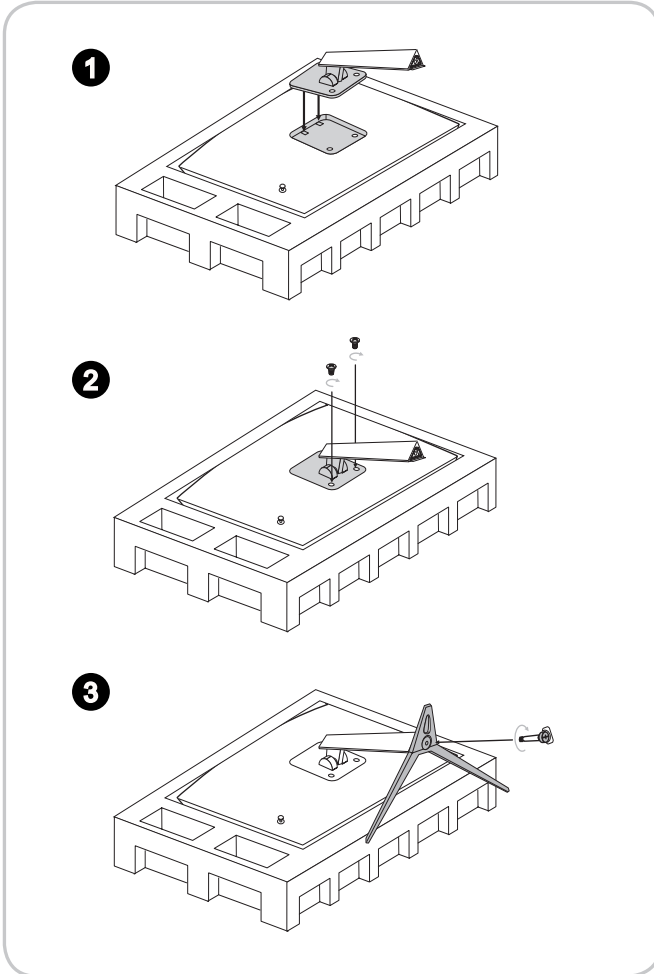
1. Align the latches of the stand to the monitor.
2. Tighten the stand with the stand screws.
3. Connect the base to the stand and tighten the base screw to secure the base.

**IMPORTANT**

The holes for installing the stand can be also used for wall mount. Please contact your dealer for proper wall mount kit.

► **MAG272**

1. Align the latches of the stand to the monitor.
2. Tighten the stand with the stand screws.
3. Connect the base to the stand and tighten the base screw to secure the base.

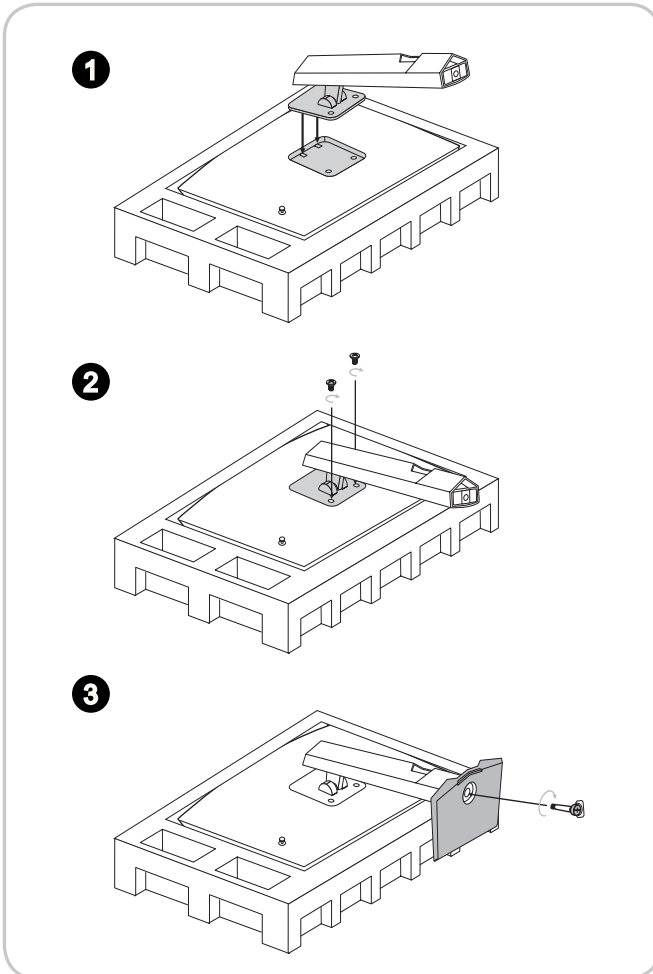


IMPORTANT

The holes for installing the stand can be also used for wall mount. Please contact your dealer for proper wall mount kit.

► MAG272R/ MAG272QP/ MAG272QR/ MAG272RX

1. Align the latches of the stand to the monitor.
2. Tighten the stand with the stand screws.
3. Connect the base to the stand and tighten the base screw to secure the base.

**IMPORTANT**

The holes for installing the stand can be also used for wall mount. Please contact your dealer for proper wall mount kit.

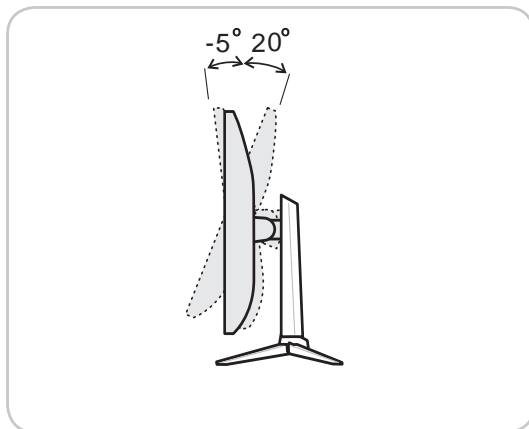
Adjusting the Monitor

This monitor is designed to maximize your viewing comfort with its adjustment capabilities such as tilt and lift.

IMPORTANT

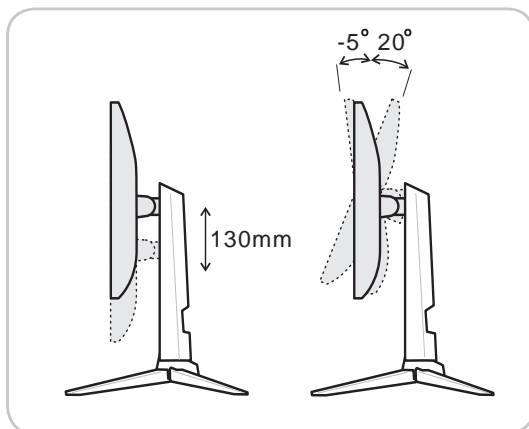
Avoid touching the display panel when adjusting the monitor.

➤ **MAG272C**

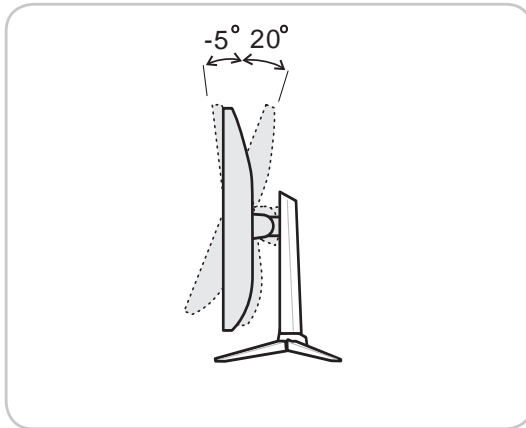


1-8

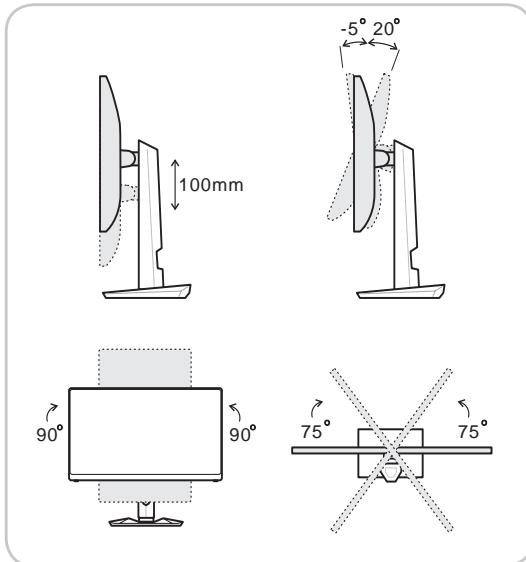
➤ **MAG272CR/ MAG272CQR/ MAG272CRX**



► **MAG272**



► **MAG272R/ MAG272QP/ MAG272QR/ MAG272RX**

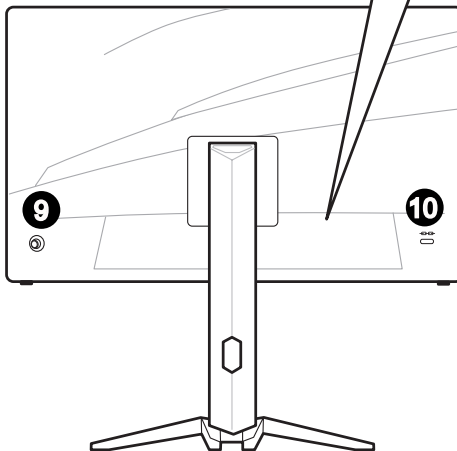
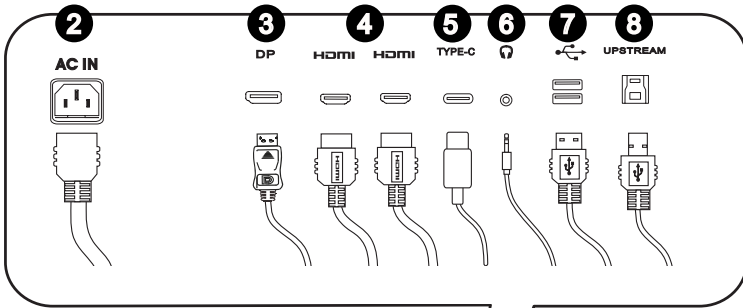
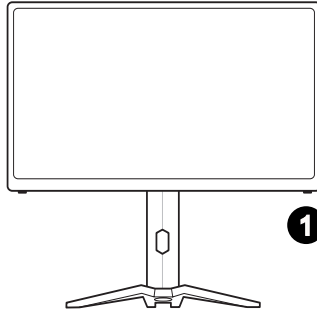


IMPORTANT

Please tilt the monitor backward before pivoting.

Monitor Overview

➤ MAG272C/ MAG272CR/ MAG272CQR



1 Power Button

2 Power Jack

3 DisplayPort

4 HDMI Port **HDMI™**
HIGH-DEFINITION MULTIMEDIA INTERFACE

5 USB-C Port

This port can send simultaneously video signal and power stream up to PD 5V/3A. It doesn't support data transmission function.

6 Headphone Jack

7 USB 2.0 Type A Port (MAG272C/ MAG272CR)

USB 3.2 Gen1 Type A Port (MAG272CQR)

8 USB 2.0 Type B Upstream Port (MAG272C/ MAG272CR)

USB 3.2 Gen1 Type B Upstream Port (MAG272CQR)

For USB Upstream Cable.

IMPORTANT

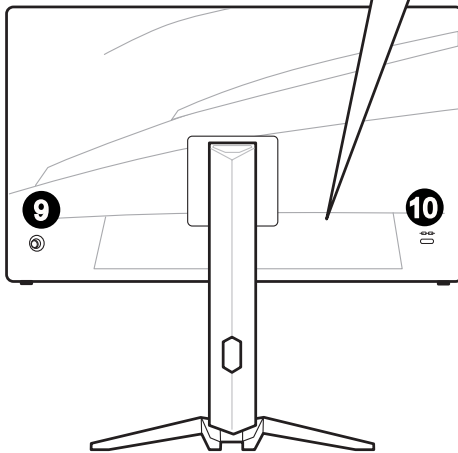
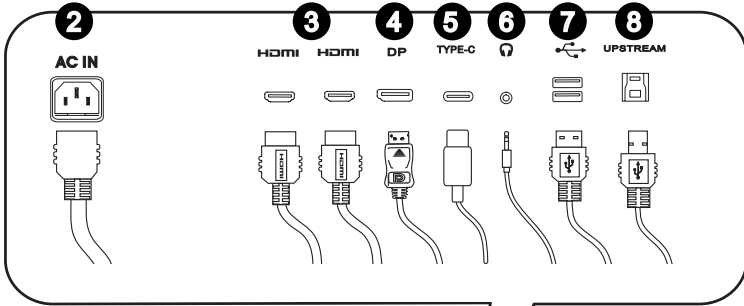
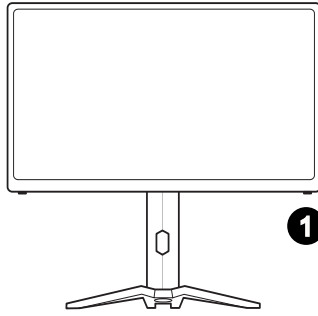
Check the package for USB Upstream Cable and connect it to the PC and monitor. Once this cable is connected, the USB Type A Downstream Ports on the monitor will be ready for use.



9 Navi Key

10 Kensington Lock

➤ MAG272CRX



1 Power Button

2 Power Jack

3 HDMI Port **HDMI™**
HIGH-DEFINITION MULTIMEDIA INTERFACE

4 DisplayPort

5 USB-C Port

This port can send simultaneously video signal and power stream up to PD 5V/3A. It doesn't support data transmission function.

6 Headphone Jack

7 USB 3.2 Gen1 Type A Port

8 USB 3.2 Gen1 Type B Upstream Port

For USB Upstream Cable.

IMPORTANT

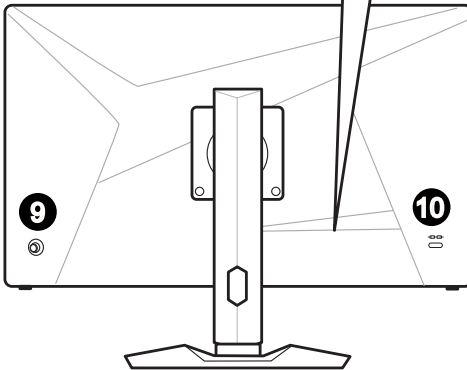
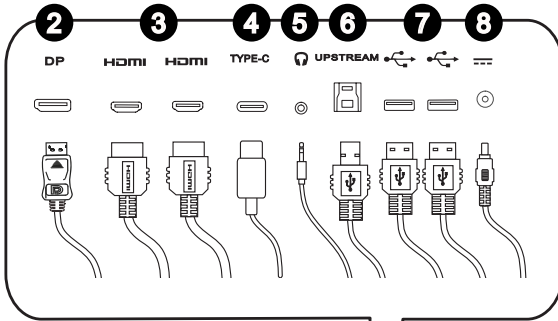
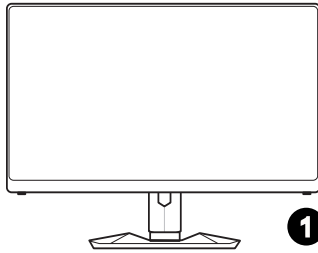
Check the package for USB Upstream Cable and connect it to the PC and monitor. Once this cable is connected, the USB Type A Downstream Ports on the monitor will be ready for use.



9 Navi Key

10 Kensington Lock

➤ MAG272/ MAG272R/ MAG272QP/ MAG272QR



1 Power Button

2 DisplayPort

3 HDMI Port **HDMI™**
HIGH-DEFINITION MULTIMEDIA INTERFACE

4 USB-C Port

This port can send simultaneously video signal and power stream up to PD 5V/3A. It doesn't support data transmission function.

5 Headphone Jack

6 USB 2.0 Type B Upstream Port

For USB Upstream Cable.

IMPORTANT

Check the package for USB Upstream Cable and connect it to the PC and monitor. Once this cable is connected, the USB Type A Downstream Ports on the monitor will be ready for use.



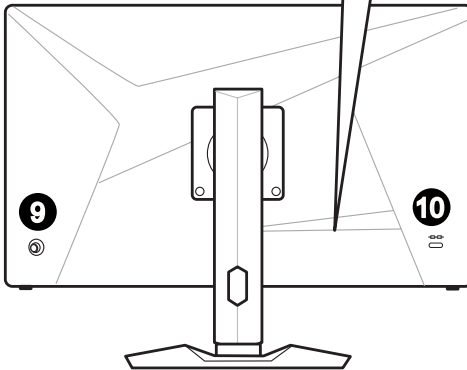
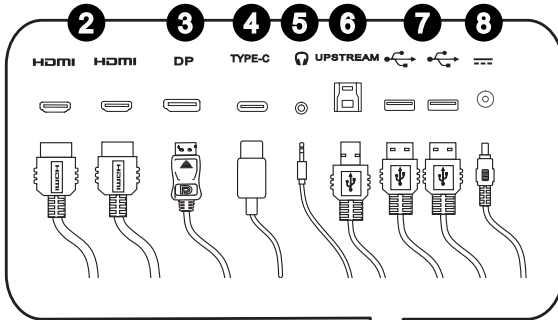
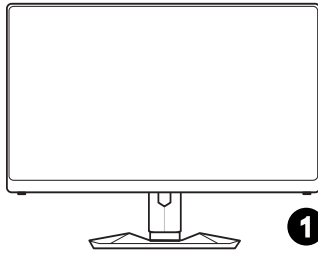
7 USB 2.0 Type A Port

8 Power Jack

9 Navi Key

10 Kensington Lock

➤ **MAG272RX**



1 Power Button**2** HDMI Port **HDMI™**
HIGH-DEFINITION MULTIMEDIA INTERFACE**3** DisplayPort**4** USB-C Port

This port can send simultaneously video signal and power stream up to PD 5V/3A. It doesn't support data transmission function.

5 Headphone Jack**6** USB 3.2 Gen1 Type B Upstream Port

For USB Upstream Cable.

IMPORTANT

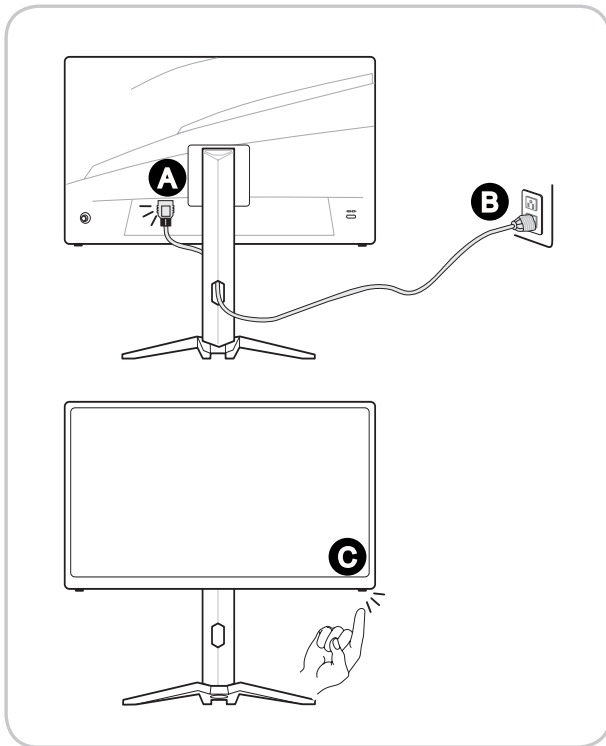
Check the package for USB Upstream Cable and connect it to the PC and monitor. Once this cable is connected, the USB Type A Downstream Ports on the monitor will be ready for use.

**7** USB 3.2 Gen1 Type A Port**8** Power Jack**9** Navi Key**10** Kensington Lock

Connecting the Monitor to PC

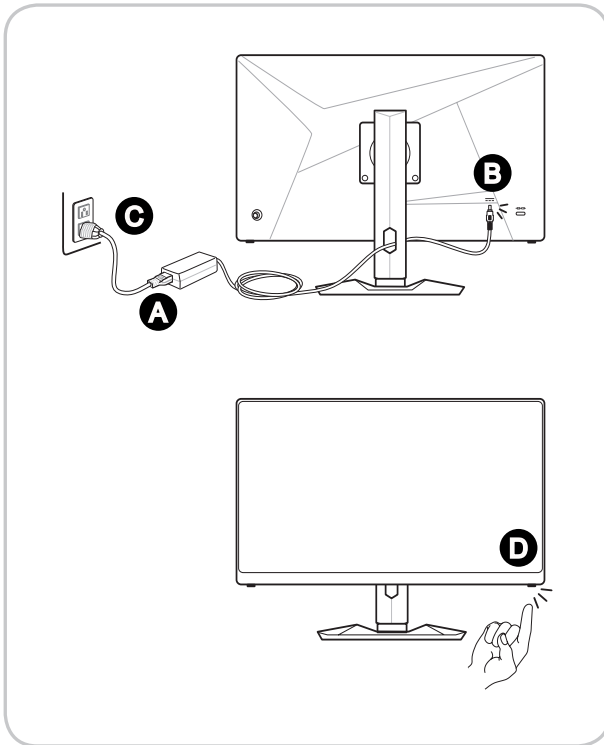
► MAG272C/ MAG272CR/ MAG272CQR/ MAG272CRX

1. Turn off your computer.
2. Connect the HDMI/DisplayPort cable from the monitor to your computer.
3. Connect the power cord to the monitor power jack. (Figure A)
4. Plug the power cord into the electrical outlet. (Figure B)
5. Turn on the monitor. (Figure C)
6. Select your Input Source at OSD menu and power on the computer.



► MAG272/ MAG272R/ MAG272QP/ MAG272QR/ MAG272RX

1. Turn off your computer.
2. Connect the HDMI/DisplayPort cable from the monitor to your computer.
3. Assemble the monitor power adapter & power cord.(Figure A)
4. Connect the power adapter to the monitor power jack.(Figure B)
5. Plug the power cord into the electrical outlet.(Figure C)
6. Turn on the monitor.(Figure D)
7. Select your Input Source at OSD menu and power on the computer.



2

OSD Setup

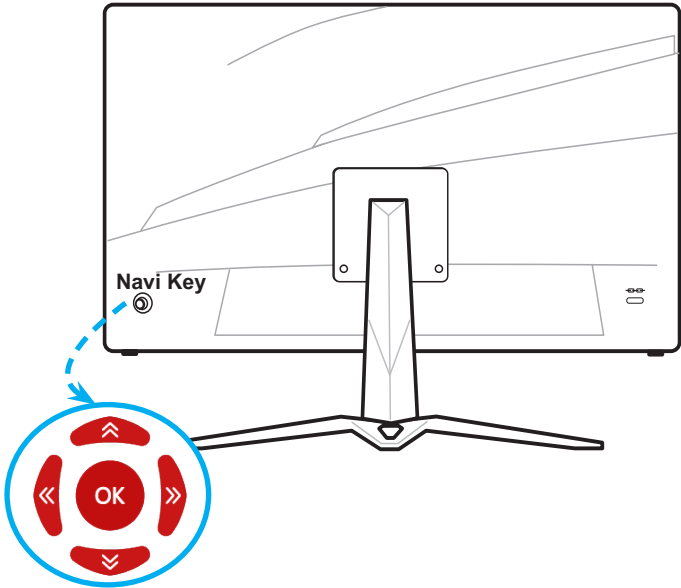
This chapter provides you with essential information on OSD Setup.

IMPORTANT

All information is subject to change without prior notice.



Navi Key


The monitor comes with a Navi Key, a multi-directional control that helps navigate the On-Screen Display (OSD) menu.






2-2

The Navi Key default settings are as follows.

Navi Key	Hot Key (When OSD menu is OFF)	Basic Operations (When OSD menu is ON)
Middle Button 	OSD Main Menu 	<ul style="list-style-type: none"> ■ Entering submenus ■ Confirming a selection or setting

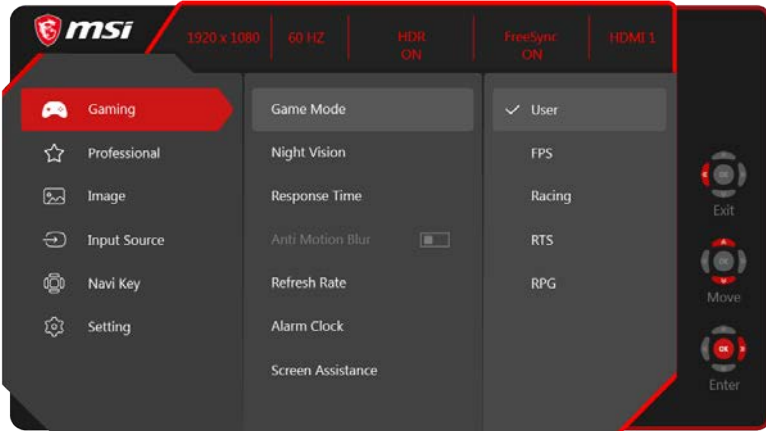
Navi Key	Hot Key (When OSD menu is OFF)	Basic Operations (When OSD menu is ON)
	<p>Game Mode</p> 	<ul style="list-style-type: none"> ■ Press Middle Button to confirm selection and exit. ■ Press Up and Down Buttons to adjust. ■ Press Left Button to cancel preview and exit without applying mode effect.
	<p>Screen Assistance</p> 	<ul style="list-style-type: none"> ■ Press Middle Button to confirm selection and exit. ■ Press Up and Down Buttons to adjust. ■ Press Left Button to cancel preview and exit.
	<p>Alarm Clock</p> 	<ul style="list-style-type: none"> ■ Press Middle Button to confirm selection and exit. ■ Press Up and Down Buttons to select. ■ Press Left Button to cancel preview and exit.
	<p>Input Source</p> 	<ul style="list-style-type: none"> ■ Press Middle Button to confirm selection and exit. ■ Press Up and Down Buttons to select. ■ Press Left Button to exit.

Users may enter the OSD Menu to customize their own Navi Key Hot Keys.
 More Hot Key options are as below.

Navi Key Hot Key Options	Operations
Brightness 	<ul style="list-style-type: none"> ■ Press Middle Button to save value and exit. ■ Press Up and Down Buttons to adjust. ■ Press Left Button to cancel preview and exit.
Refresh Rate 	<ul style="list-style-type: none"> ■ Press Middle Button to confirm selection and exit. ■ Press Right Button to turn on and Left Button to turn off this function.
Information on Screen 	<ul style="list-style-type: none"> ■ Press Middle Button to confirm selection and exit. ■ Press Right Button to turn on and Left Button to turn off this function.


OSD Setup via Navi Key

Press the Middle button of Navi Key to launch the On-Screen Display (OSD) main menu. Use the Up, Down, Left, Right buttons to tune the desired function menus to suit your personal preferences.



► GAMING

1st Level Menu	2nd/3rd Level Menu	Description
Game Mode	User	All items can be adjusted by users.
	FPS	All items can be adjusted by users.
	Racing	All items can be adjusted by users.
	RTS	All items can be adjusted by users.
	RPG	All items can be adjusted by users.
		<ul style="list-style-type: none"> ■ Use Up or Down Button to select and preview mode effects. ■ Press the Middle Button to confirm and apply your mode type.
Night Vision	OFF	<ul style="list-style-type: none"> ■ This function optimizes background brightness and is recommended for FPS games.
	Normal	
	Strong	
	Strongest	
	A.I.	
Response Time	Normal	<ul style="list-style-type: none"> ■ Users can adjust Response Time in any Mode. ■ Response Time will be grayed out while Anti Motion Blur is enabled. ■ Response Time have to set to Fast after Anti Motion Blur is disabled.
	Fast	
	Fastest	

1st Level Menu	2nd/3rd Level Menu		Description
Anti Motion Blur	<input type="checkbox"/> (OFF) <input checked="" type="checkbox"/> (ON)		<ul style="list-style-type: none"> When Anti Motion Blur is enabled, HDCR and Brightness cannot be enabled and will be grayed out. Response time will be grayed out while Anti Motion Blur is enabled. Anti Motion Blur have to set to OFF while FreeSync is set to ON.
Refresh Rate	Location	Left Top	<ul style="list-style-type: none"> Users can adjust Refresh Rate in any Mode. Default Refresh Rate Location is Left Top. Location is adjustable in OSD Menu. Press the Middle Button to confirm and apply your Refresh Rate Location. This monitor follows and works at the Operating System's preset Screen Refresh Rate.
		Right Top	
		Left Bottom	
		Right Bottom	
	OFF		
	ON		
Alarm Clock	Location	Left Top	<ul style="list-style-type: none"> Users can adjust Alarm Clock in any Mode. After setting the time, press the Middle Button to activate the timer. Default Alarm Clock Location is Left Top. Users can select their own location.
		Right Top	
		Left Bottom	
		Right Bottom	
	OFF		
	15:00	00:01 - 99:59	
	30:00		
45:00			
	60:00		
Screen Assistance	None		<ul style="list-style-type: none"> Users can adjust Screen Assistance in any Mode. Screen Assistance default is None.
	Icon		
	Position		
	Reset		
FreeSync	<input type="checkbox"/> (OFF)		<ul style="list-style-type: none"> FreeSync prevents screen tearing DisplayPort or HDMI default is ON and can be adjusted ON/OFF in any mode, any resolution, any input source and any screen refresh rate Anti Motion Blur will be disabled, if FreeSync is enabled.
	<input checked="" type="checkbox"/> (ON)		

► Professional

1st Level Menu	2nd Level Menu	Description
Pro Mode	User	Default mode. All items can be adjusted by users.
	Reader	All items can be adjusted by users.
	Cinema	All items can be adjusted by users.
	Designer	All items can be adjusted by users.
	HDR	All items can be adjusted by users.
		<ul style="list-style-type: none"> ■ Use Up or Down Button to select and preview mode effects. ■ Press the Middle Button to confirm and apply your mode type.
Eye Saver	<input type="checkbox"/> (OFF)	<ul style="list-style-type: none"> ■ Eye Saver protects your eyes against blue light. When enabled, Eye Saver adjusts the screen color temperature to a more yellow glow. ■ Users can adjust Eye Saver in any Mode. ■ When Pro Mode is set to Reader, it is mandatory to enable Eye Saver.
	<input checked="" type="checkbox"/> (ON)	
HDCR	<input type="checkbox"/> (OFF)	<ul style="list-style-type: none"> ■ Users can adjust HDCR in any Mode. ■ HDCR enhances image quality by increasing the contrast of images. ■ When HDCR is set to ON, Brightness will be grayed out. ■ HDCR and Anti Motion Blur cannot be enabled simultaneously.
	<input checked="" type="checkbox"/> (ON)	
Anti Motion Blur	<input type="checkbox"/> (OFF)	<ul style="list-style-type: none"> ■ When Anti Motion Blur is enabled, HDCR and Brightness cannot be enabled and will be grayed out. ■ Response time will be grayed out while Anti Motion Blur is enabled. ■ Anti Motion Blur have to set to OFF while FreeSync is set to ON.
	<input checked="" type="checkbox"/> (ON)	
Image Enhancement	OFF	<ul style="list-style-type: none"> ■ Image Enhancement enhances image edges to improve their acutance. ■ Users can adjust Image Enhancement in any Mode.
	Weak	
	Medium	
	Strong	
	Strongest	

➤ Image

1st Level Menu	2nd/3rd Level Menu	Description		
Brightness	0-100	<ul style="list-style-type: none"> Users can adjust Brightness in User, RTS, RPG and Reader mode. Brightness will be grayed out when Anti Motion Blur or HDCR are enabled. 		
Contrast	0-100	<ul style="list-style-type: none"> Users can adjust Contrast in any Mode. 		
Sharpness	0-5	<ul style="list-style-type: none"> Users can adjust Sharpness in any Mode. Sharpness improves clarity and details of images. 		
Color Temperature	Cool	<ul style="list-style-type: none"> Color Temperature default is Normal. Use Up or Down Button to select and preview mode effects. Press the Middle Button to confirm and apply your mode type. Users can adjust Color Temperature in Customization mode. 		
	Normal			
	Warm			
	Customization		<table border="1"> <tr> <td>R (0-100)</td> </tr> <tr> <td>G (0-100)</td> </tr> <tr> <td>B (0-100)</td> </tr> </table>	R (0-100)
R (0-100)				
G (0-100)				
B (0-100)				
Screen Size	Auto	<ul style="list-style-type: none"> Users can adjust Screen Size in any mode, any resolution and any screen refresh rate. Default is Auto. 		
	4:3			
	16:9			

2-8

➤ Input Source

1st Level Menu	2nd/3rd Level Menu	Description
HDMI1		Users can adjust Input Source in any Mode.
HDMI2		
DP		
Type C		

➤ Navi Key

1st Level Menu	2nd Level Menu	Description
Up / Down / Left / Right	OFF	<ul style="list-style-type: none"> Up Button default is Game Mode. Down Button default is Screen Assistance. Left Button default is Alarm Clock. Right Button default is Input Source. All Navi Key items can be adjusted via OSD Menu.
	Brightness	
	Game Mode	
	Screen Assistance	
	Alarm Clock	
	Input Source	
	Refresh Rate	
	Information on Screen	

► Setting

1st Level Menu	2nd Level Menu	Description
Language	繁體中文	<ul style="list-style-type: none"> ■ Language factory default is English. ■ Users have to press the Middle Button to confirm and apply the Language setting. ■ Language is an independent setting. Users' own language setting will override the factory default. When users set Reset to Yes, Language will not be changed.
	English	
	Français	
	Deutsch	
	Italiano	
	Español	
	한국어	
	日本語	
	Русский	
	Português	
	简体中文	
	ไทย	
	Bahasa Indonesia	
	हिन्दी	
Türkçe		
(More languages coming soon)		
Transparency	0-5	Users can adjust Transparency in any Mode.
OSD Time Out	5-30s	Users can adjust OSD Time Out in any Mode.
RGB LED	<input type="checkbox"/> (OFF)	Users can adjust RGB LED to On or Off. Default is ON. * Not supported for MAG272C, MAG272, MAG272QP
	<input checked="" type="checkbox"/> (ON)	
Information on Screen	<input type="checkbox"/> (OFF)	<ul style="list-style-type: none"> ■ The information of the monitor status will be showed on the right side of the screen. ■ Users can enable or disable the Information on Screen. Default is OFF.
	<input checked="" type="checkbox"/> (ON)	
Reset	YES	Users can Reset and restore settings to original OSD Default in any Mode.
	NO	



Appendix

IMPORTANT

All information is subject to change without prior notice.

MAG 272C Series Specifications

Model	MAG272C (3CA5)	MAG272CR (3CA5)	MAG272CQR (3CA6)	MAG272CRX (3CA0)
Size	27 inch			
Curvature	1500R			
Panel Type	VA			
Resolution	1920 x 1080@165Hz		2560 x 1440@165Hz	1920 x 1080@240Hz
Aspect Ratio	16:9			
Brightness (nits)	300 (max)			
Contrast Ratio	3000:1			
Refresh Rate	165Hz			240Hz
Response Time	1ms (MPRT)			
Input Interface	HDMI x2, DP x1			
I/O	<ul style="list-style-type: none"> ■ HDMI x2 ■ DisplayPort x1 ■ USB-C x1 ■ USB 2.0 Type A x2 ■ USB 2.0 Type B x1 ■ Headphone Out x1 		<ul style="list-style-type: none"> ■ HDMI x2 ■ DisplayPort x1 ■ USB-C x1 ■ USB 3.2 Gen1 Type A x2 ■ USB 3.2 Gen1 Type B x1 ■ Headphone Out x1 	
View Angles	178°(H) , 178°(V)			
DCI-P3/ sRGB	90%/ 115%			
Surface Treatment	Anti-glare			
Display Colors	1.07B (8 bit +FRC)			
Power Type	Internal Power			
Power Consumption (Typical)	Power on<66W Standby<0.5W Power off<0.5W		Power on<90W Standby<0.5W Power off<0.5W	
System Rating	100~240Vac, 50~60Hz, 1.5A			
Adjustment (Tilt)	-5° ~ 20°			
Adjustment (Height)	NA	0 ~ 130mm		
Kensington Lock	Yes			
VESA Mounting	<ul style="list-style-type: none"> ■ Plate Type: 100 x 100 mm ■ Screw Type: M4x10 mm <ul style="list-style-type: none"> ▶ Thread Diameter: 4 mm ▶ Thread Pitch: 0.7 mm ▶ Thread Length: 10 mm 			

Model		MAG272C (3CA5)	MAG272CR (3CA5)	MAG272CQR (3CA6)	MAG272CRX (3CA0)
Dimension (W x H x D)		611.5 x 455 x 267 mm	611.5 x 560 x 267 mm		
Net Weight		5.4 kg (net) / 9.0 kg (gross)	5.9 kg (net) / 13.1 kg (gross)		
Environment	Operating	Temperature: 0°C to 40°C Humidity: 20% to 90%, non-condensing Altitude: 0 ~ 5000m			
	Storage	Temperature: -20°C to 60°C Humidity: 10% to 90%, non-condensing			

MAG 272C Series Preset Display Modes

Standard	Resolution	MAG272C (3CA5)		MAG272CR (3CA5)		MAG272CQR (3CA6)		MAG272CRX (3CA0)	
		HDMI	DP/Type C	HDMI	DP/Type C	HDMI	DP/Type C	HDMI	DP/Type C
VGA	640x480 @60Hz					V			
	640x480 @67Hz					V			
	640x480 @72Hz					V			
	640x480 @75Hz					V			
Dos-Mode	720x480 @60Hz					V			
	720x576 @50Hz					V			
SVGA	800x600 @56Hz					V			
	800x600 @60Hz					V			
	800x600 @72Hz					V			
	800x600 @75Hz					V			
XGA	1024x768 @60Hz					V			
	1024x768 @70Hz					V			
	1024x768 @75Hz					V			
SXGA	1280x1024 @60Hz					V			
	1280x1024 @75Hz					V			
WXGA+	1440x900 @60Hz					V			
WSXGA+	1680x1050 @60Hz					V			
Full HD	1920x1080 @60Hz					V			
	1920x1080 @120Hz					V			
	1920x1080 @144Hz					V			
	1920x1080 @165Hz					V			
	1920x1080 @240Hz								V

Standard	Resolution	MAG272C (3CA5)		MAG272CR (3CA5)		MAG272CQR (3CA6)		MAG272CRX (3CA0)	
		HDMI	DP/Type C	HDMI	DP/Type C	HDMI	DP/Type C	HDMI	DP/Type C
WQHD	2560x1440 @60Hz					V	V		
	2560x1440 @120Hz					V			
	2560x1440 @144Hz					V	V		
	2560x1440 @165Hz						V		
Video Timing Resolution	480P					V			
	576P					V			
	720P					V			
	1080i					V			
	1080P					V			
	1080P @120Hz					V			
	1440P						V		
	1440P @120Hz						V		

MAG 272 Series Specifications

Model	MAG272 (3CA7)	MAG272R (3CA7)	MAG272QP MAG272QR (3CA8)	MAG272RX (3CB2)
Size	27 inch			
Curvature	NA			
Panel Type	VA			
Resolution	1920 x 1080@165Hz		2560 x 1440@165Hz	1920 x 1080@240Hz
Aspect Ratio	16:9			
Brightness (nits)	300 (max)			
Contrast Ratio	3000:1			
Refresh Rate	165Hz			240Hz
Response Time	1ms (MPRT)			
Input Interface	HDMI x2, DP x1			
I/O	<ul style="list-style-type: none"> ▪ HDMI x2 ▪ DisplayPort x1 ▪ USB-C x1 ▪ USB 2.0 Type A x2 ▪ USB 2.0 Type B x1 ▪ Headphone Out x1 			<ul style="list-style-type: none"> ▪ HDMI x2 ▪ DisplayPort x1 ▪ USB-C x1 ▪ USB 3.2 Gen1 Type A x2 ▪ USB 3.2 Gen1 Type B x1 ▪ Headphone Out x1
View Angles	178°(H) , 178°(V)			
DCI-P3/ sRGB	95.4% / 122.9%		95.6% / 123.7%	92% / 116%
Surface Treatment	Anti-glare			
Display Colors	1.07B (8 bit +FRC)			
Power Type	External Power Adapter			
Power Consumption (Typical)	65W			
Power Input	100~240Vac, 50~60Hz, 1.6A Max			
Adjustment (Tilt)	-5° ~ 20°			
Adjustment (Height)	NA	0 ~ 100mm		
Adjustment (Swivel)	NA	-75° ~ 75°		
Adjustment (Pivot)	NA	-90° ~ 90°		
Kensington Lock	Yes			
VESA Mounting	<ul style="list-style-type: none"> ▪ Plate Type: 100 x 100 mm ▪ Screw Type: M4x10 mm <ul style="list-style-type: none"> ▶ Thread Diameter: 4 mm ▶ Thread Pitch: 0.7 mm ▶ Thread Length: 10 mm 			

Model		MAG272 (3CA7)	MAG272R (3CA7)	MAG272QP MAG272QR (3CA8)	MAG272RX (3CB2)
Dimension (W x H x D)		614.9 x 451.4 x 225.2 mm	614.9 x 532.7 x 206.7 mm		
Net Weight		4.33Kg(net) / 7.1Kg(gross)	6.05Kg(net) / 8.7Kg(gross)		
Environment	Operating	Temperature: 0°C to 40°C Humidity: 20% to 90%, non-condensing Altitude: 0 ~ 5000m			
	Storage	Temperature: -20°C to 60°C Humidity: 10% to 90%, non-condensing			

MAG 272 Series Preset Display Modes

Standard	Resolution	MAG272 (3CA7)		MAG272R (3CA7)		MAG272QP MAG272QR (3CA8)		MAG272RX (3CB2)	
		HDMI	DP/ Type C	HDMI	DP/ Type C	HDMI	DP/ Type C	HDMI	DP/ Type C
VGA	640x480 @60Hz	V							
	640x480 @67Hz	V							
	640x480 @72Hz	V							
	640x480 @75Hz	V							
Dos-Mode	720x480@60Hz	V							
	720x576@50Hz	V							
SVGA	800x600 @56Hz	V							
	800x600 @60Hz	V							
	800x600 @72Hz	V							
	800x600 @75Hz	V							
XGA	1024x768 @60Hz	V							
	1024x768 @70Hz	V							
	1024x768 @75Hz	V							
SXGA	1280x1024 @60Hz	V							
	1280x1024 @75Hz	V							
WXGA+	1440x900 @60Hz	V							
WSXGA+	1680x1050 @60Hz	V							
Full HD	1920x1080 @60Hz	V							
	1920x1080 @120Hz	V							
	1920x1080 @144Hz	V	V	V	V	V		V	V
	1920x1080 @165Hz	V	V	V	V		V	V	V
	1920x1080 @240Hz							V	V

Standard	Resolution	MAG272 (3CA7)		MAG272R (3CA7)		MAG272QP MAG272QR (3CA8)		MAG272RX (3CB2)	
		HDMI	DP/ Type C	HDMI	DP/Type C	HDMI	DP/ Type C	HDMI	DP/Type C
WQHD	2560x1440 @60Hz					V	V		
	2560x1440 @120Hz					V			
	2560x1440 @144Hz					V	V		
	2560x1440 @165Hz						V		
Video Timing Resolution	480P					V			
	576P					V			
	720P					V			
	1080P					V			
	1080P @120Hz					V			
	1440P					V	V		
	1440P @120Hz					V			

Troubleshooting

The power LED is off.

- Press the monitor power button again.
- Check if the monitor power cable is properly connected.

No image.

- Check if the computer graphics card is properly installed.
- Check if the computer and monitor are connected to electrical outlets and are turned on.
- Check if the monitor signal cable is properly connected.
- The computer may be in Standby mode. Press any key to activate the monitor.

The screen image is not properly sized or centered.

Refer to Preset Display Modes to set the computer to a setting suitable for the monitor to display.

No Plug & Play.

- Check if the monitor power cable is properly connected.
- Check if the monitor signal cable is properly connected.
- Check if the computer and graphics card are Plug & Play compatible.

The icons, font or screen are fuzzy, blurry or have color problems.

- Avoid using any video extension cables.
- Adjust brightness and contrast.
- Adjust RGB color or tune color temperature.
- Check if the monitor signal cable is properly connected.
- Check for bent pins on the signal cable connector.

The monitor starts flickering or shows waves.

- Change the refresh rate to match the capabilities of your monitor.
- Update your graphics card drivers.
- Keep the monitor away from electrical devices that may cause electromagnetic interference (EMI).