

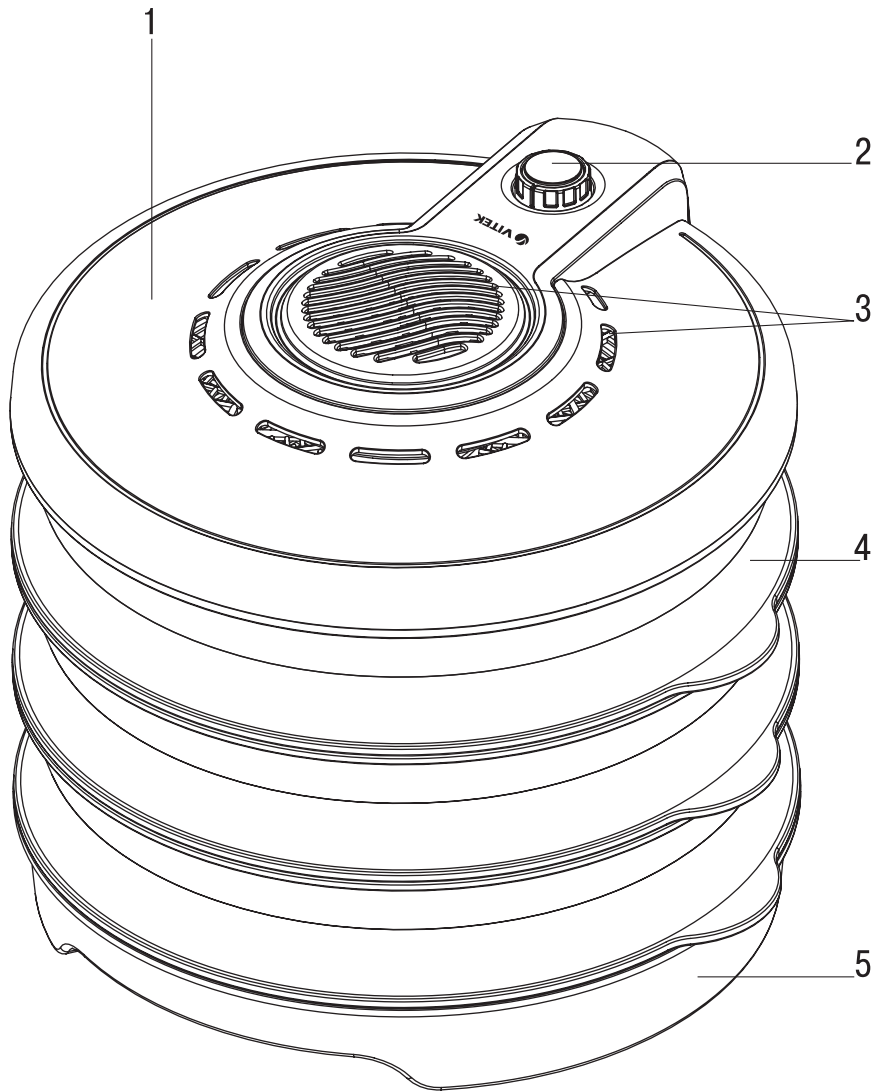
VT-5056 W

Food dehydrator

Сушилка для овощей
и фруктов

Инструкция по эксплуатации

GB Manual instruction	3
RUS Инструкция по эксплуатации	7
KZ Пайдалану нұсқасы	13
UA Інструкція з експлуатації	18
KG Пайдалануу боюнча нускама	23



FOOD DEHYDRATOR VT-5056 W

Use the electric dehydrator to preserve fruit and vegetables, dry-cure meat and fish, dry medicinal or flavoring herbs, dry various flowers etc.

DESCRIPTION

1. Lid with the motor unit
2. Operation mode switch «0-1-2»
3. Ventilation openings
4. Trays for dehydration
5. Base

ATTENTION!

For additional protection you can install a residual current device (RCD) with nominal operation current not exceeding 30 mA into the mains; contact specialist for installation.

SAFETY MEASURES

Before using the unit, read this instruction carefully and keep it for future reference.

Use the unit according to its intended purpose only, as it is stated in this user manual. Mishandling the unit can lead to its breakage and cause harm to the user or damage to his/her property.

- Before switching the unit on make sure that your home mains voltage corresponds to unit operating voltage.
- Use the unit only for the intended purposes, use only the attachments supplied with the unit.
- Place the unit on a heat-resistant flat stable surface, away from heat sources, moisture and direct sunlight.
- Do not switch the unit on in places where aerosols are sprayed or inflammable liquids are used.
- Do not use the unit outdoors.
- When using the unit we recommend to unwind the power cord to its full length.
- The power cord should not:
 - touch hot objects,
 - run over sharp edges.
- When unplugging the unit, pull the plug but not the cord.
- Do not touch the power plug with wet hands.
- Never leave the operating unit unattended.
- Do not use and do not keep the unit in places, where it can fall into a bath or a sink, filled with water, do not immerse the unit into water or other liquids.
- If the unit was dropped into water, unplug it immediately. And only then you can take it out of water.
- Provide that water does not get into the ventilation openings of the unit.

- For children safety reasons do not leave polyethylene bags, used as a packaging, unattended.

Attention! Do not allow children to play with polyethylene bags or packaging film. **Danger of suffocation!**

- Do not allow children to touch the unit body, the power cord or the power plug during operation of the unit.
- Do not leave children unattended to prevent using the unit as a toy.
- Close supervision is necessary when children or disabled persons are near the operating unit.
- This unit is not intended for usage by children.
- Place the unit out of reach of children during the operation and cooling down.
- The unit is not intended for usage by physically or mentally disabled persons (including children) or by persons lacking experience or knowledge if they are not under supervision of a person who is responsible for their safety or if they are not instructed by this person on the usage of the unit.
- Do not touch hot surfaces of the unit.
- Trays for dehydration get hot during the operation of the unit. Allow them to cool before removal.
- Never insert any foreign objects into any unit openings.
- Unplug the unit after every usage and before cleaning.
- Do not attempt to repair the unit. Do not disassemble the unit by yourself, if any malfunction is detected or after it was dropped, unplug the unit and apply to any authorized service center from the contact address list given in the warranty certificate and on the website www.vitek.ru.
- For environment protection do not discard the unit with usual household waste after its service life expiration; apply to a specialized center for further recycling.
- To avoid damages, transport the unit in original package only.
- Keep the unit out of reach of children.

THE UNIT IS INTENDED FOR HOUSEHOLD USAGE ONLY

BEFORE THE FIRST USE

After unit transportation or storage at low temperature it is necessary to keep it for at least 3 hours at room temperature before switching on.

ENGLISH

- Remove all stickers and packaging elements that can prevent unit operation.
- Make sure that unit operating voltage corresponds to voltage of your mains.
- Wash the trays for dehydration (4) and the base (5) with warm water and a neutral detergent, dry them thoroughly.
- Clean the lid with the motor unit (1) with a slightly damp cloth and then wipe dry.

Attention! Never immerse the lid with the motor unit (1) into water or other liquids. Provide that water does not get into the ventilation openings (3).

USAGE

- Place the base (5) on a flat steady heat-resistant surface.
- Install the tray for dehydration with handles on the base (5), then install the tray without handles and proceed in the same order. The last installed tray for dehydration should be without handles.
- Install the lid with the motor unit (1) on the trays for dehydration (4).
- Insert the power plug into the mains socket.
- Switch the dehydrator on for approximately 30 minutes without food products, to do this set the operation mode switch (2) to the position «2».

Note: - when the unit is switched on for the first time some foreign smell from the heating element is possible, this is normal.

- Switch the dehydrator off by setting the operation mode switch (2) to the position «0».
- Before dehydration wash the foodstuffs, dry them and cut into small pieces.
- Put the foodstuffs on the trays for dehydration (4) in such way to provide hot air circulation between the pieces of food. Remember that hot air should circulate freely in the trays for dehydration (4).
- Switch the dehydrator on by setting the operation mode switch (2) to the position «1 or 2».
- If the food pieces are thin and small, use the dehydration mode «1». For big and thick food pieces use the dehydration mode «2».

Notes:

- the dehydrator works on the principle of natural air convection, so the ingredients located on the lower trays are exposed to hotter and drier air and so they are dried faster.
- for the best results of dehydration we recommend placing moister food on the lower trays and interchange the lower and upper trays periodically.
- before interchanging the trays switch the unit off by setting the operation mode switch (2) to the «0» position and unplug the unit from the mains,

remove the lid with the motor unit (1) and then interchange the trays (4).

- After the dehydration is finished, switch the unit off by setting the operation mode switch (2) to the position «0» and unplug the unit.

Notes:

- check the food readiness every hour.
- if products are dried unevenly, we recommend turning them and interchanging the trays (4) for more even dehydration.
- time of drying for every type of product is set individually and depends on the quality and size of the used food products, temperature and relative humidity of the room.
- Let the unit and dried foodstuffs cool down.
- Pack the ready products into packages or jars, put away for storage (see the chapter «Storage of food»).

RECOMMENDATIONS

To avoid food intoxication and intestinal diseases strictly follow the recommendations below.

- Wash your hands carefully before preparing products for dehydration.
- Keep operating surfaces clean. Wash the trays (4) with warm water and neutral detergent after every use. – Do not touch the products with bare hands if you have cuts, ulcers on your hands or if you have any skin diseases.
- Checking the food readiness, do not touch the products with your hands; use a fork, a spatula or other kitchen tools.
- Do not allow pets to enter the kitchen during food dehydration.

Choosing vegetables and fruits for drying

- Use only fresh fruits or vegetables.
- Only ripe fruits are suitable for drying, green fruits may become acquire foreign flavor.
- Overripe fruits may change their color after drying.
- Cut off any rotted parts.
- Not all vegetables are suitable for drying because unlike the fruits vegetables contain less sugar and acid. It is recommended to freeze some vegetables, for instance broccoli or asparagus, better than to dry.
- Vegetables are ready if they are hard and dry.

Preparation of products

- Wash the products carefully.
- Remove the stones and rotten parts of the fruits.
- If necessary, peel off the vegetables skin. Always peel off the skin if the vegetables are covered with wax.

- Remove the fruits stalks.
- Cut the vegetables or fruits in slices or cubes.
- Berries or grapes should be dried whole.
- Dry the greens or spice herbs whole with stems.
- If you want to improve the taste and prolong the storage life of the products, preprocess them. This is not obligatory.
- Try drying preprocessed products and not processed products and decide which way of cooking suits you better.

Preprocessing of fruits

- You can use pine apple, lemon, orange or lime juice to keep natural color of fruits. Dip the fruits pieces into the juice for 2 minutes, then let them dry and put them on the trays for dehydration (4).
- Use natural juice made of the same type of fruits that are intended for drying (for instance, apple juice for apples) to enhance the natural taste of fruits. Dilute 1/4 glass of juice with two glasses of water; soak the fruits in the solution for 2 hours.
- Some fruits are covered with layer of natural wax (dates, grapes, cranberry, plums etc.). To remove the wax and speed up the drying of products put them into boiling water for 1-2 minutes.

Preprocessing of vegetables

Preprocessing of vegetables destroys ferments that cause the change of taste of products during the storage.

Steam treatment or microwave oven treatment of vegetables is more preferable than boiling water.

- Put the vegetables on the upper tray of a food steamer and warm them up for 2-3 minutes. Right after that put vegetables on the trays (4).
- Put the vegetables into the container suitable for microwave oven, add some water. Cover the container with a lid and put it into a microwave oven. Set the time which makes 1/4 of the time of cooking, specified in the instruction manual for your microwave oven. Put ready vegetables on the trays (4).
- Put the pieces of vegetables into boiling water for 3-4 minutes, dry them with paper towel and then put on the trays for dehydration (4).

DEHYDRATION TIME

The time of dehydration for every ingredient is set individually and depends on the quality and size of the used food products, temperature and relative humidity of the room.

After learning the food dehydrator better, you will be able to set the desired time of dehydration by yourself.

Ready fruits should be soft, without moisture. Overdried fruits are stored worse and contain fewer nutrients.

Dried vegetables should be hard and brittle.

Note: *If you didn't dry all products at a time, you can continue drying at any appropriate time. In this case let the products in the trays (4) cool down to room temperature, put them into polyethylene bags or food containers and place them in the freezer.*

ADDITIONAL FUNCTIONS

Herbs, flowers, spices

- Practically all herbs are suitable for drying.
- Dry spice herbs together with stems, separate leaves from stems after drying.
- Make sure that the herbs are well-dried; otherwise they may start to rot.
- You can use dried flowers for making fragrant sachets.

Drying of meat and fish

- You can dry raw or cooked meat or fish. Preprocessing of meat or fish keeps you healthy and is obligatory.
- You can use dried meat or fish for making first or main courses. Before use soak it in water or broth for 1 hour.
- Dry only lean meat without fat (for instance, beef or poultry meat) and only fresh fish.
- Keep fish and meat in the marinade or boil before cooking.

Recipe of the marinade

0,5 glass soy sauce
1 tea spoon cut garlic
2 tbl. spoons tomato paste
1,25 tea spoon salt
0,5 tea spoon ground pepper

Cooking of jerked beef

Cut beef into small pieces against fiber. Put the pieces of meat into the marinade for 3 hours, then remove and dry. Put the pieces on the trays for dehydration, dry for 8-15 hours. Keep jerked beef in hermetic package at room temperature no longer than 2 weeks, in the fridge – no longer than 3 months.

Cooking of dried fish

Do not use frozen fish for drying. Remove the bones, cut the fish into pieces. Put fish into salt solution (half a glass of salt with 1L water) and put the container into the fridge for 30 minutes, then remove fish pieces and dry. Put fish pieces on the plate, add salt and spice (1 tea spoon salt for 1 kg fish). Cover the plate and put it into the fridge for 6 hours.

ENGLISH

Put the pieces of fish on the trays for dehydration (4) and dry till the juice stops dripping. Keep the prepared fish in the fridge for no longer than 3 months.

Drying of cooked fish or meat

Boil the fish or meat before cooking. Remove the fat, cut the products into cubes. Dry until ready. Keep in hermetic package at room temperature no longer than 2 weeks, in the fridge - no longer than 3 months.

Storage of food

Proper package prolongs storage life of dried food.

- Let the products cool down completely after drying, then pack them into hermetic plastic packages. For the best result keep the food in vacuum packages.
- Mark the containers or packages for dried food with the name of the product and sign the date of drying.
- To prevent the food spoiling, regularly check the packages for moisture. If there is moisture, dry the products again.
- Keep the products in a dry cool place. Optimal storage temperature for dried products should not exceed 15°C. Keep the dried food in the fridge or freezer.
- Compared to vegetables fruits contain more sugar and acid so they are more suitable for drying and storage. Check the dried fruits regularly.
- Keep dried fruits, vegetables, greens, medicinal plants, nuts and baked breads in the fridge/freezer for no longer than 1 year.

Cleaning and care

- Switch the unit off using the power switch (2), unplug it and let the unit cool down.
- Wash the trays (5) and the lid (6) with warm water and neutral detergent, dry them thoroughly.
- Do not use abrasives and solvents to clean the unit body (1) or trays (5).
- Wipe the dehydrator body (1) with a slightly damp soft cloth and then wipe dry.
- Do not immerse the unit body (1) into water or other liquids. Provide that water does not get into the ventilation openings of the unit body.

CLEANING AND CARE

- Switch the dehydrator off by setting the operation mode switch (2) to the position «0», take the power plug out of the socket and let the unit cool down.
- Wash the trays (4) and the base (5) with warm water and a neutral detergent and dry them.
- Do not use abrasives and solvents to clean the lid with the motor unit (1), the trays for dehydration (4) and the base (5).
- Clean the lid with the motor unit (1) with a soft, slightly damp cloth and then wipe dry.
- Do not immerse the lid with the motor unit (1) into water or other liquids. Provide that water does not get into the ventilation openings of the lid with the motor unit (1).

STORAGE

- Clean the unit before taking it away for storage.
- To minimize the dehydrator size for storing turn the tray with handles and put it into the base (5), then turn the tray without handles and put it into the tray with handles and so on, cover the trays (4) with the lid with motor unit (1).
- Keep the unit away from children in a dry cool place.

DELIVERY SET

Food dehydrator – 1 pc.

Instruction manual – 1 pc.

TECHNICAL SPECIFICATIONS

Supply voltage: 220-240 V ~ 50 Hz

Power: 400 W

Capacity: 15 l

The manufacturer preserves the right to change the specifications of the unit without a preliminary notification.

Unit operating life is 3 years

Guarantee

Details regarding guarantee conditions can be obtained from the dealer from whom the appliance was purchased. The bill of sale or receipt must be produced when making any claim under the terms of this guarantee.



This product conforms to the EMC Directive 2014/30/EU and to the Low Voltage Directive 2014/35/EU.

СУШИЛКА ДЛЯ ОВОЩЕЙ И ФРУКТОВ VT-5056 W

Используя электрическую сушилку, Вы можете заготавливать овощи, фрукты, вялить мясо, рыбу, сушить лекарственные или пряные травы, засушивать разнообразные цветы и т.п.

ОПИСАНИЕ

1. Крышка с моторным блоком
2. Переключатель режимов работы «0-1-2»
3. Вентиляционные отверстия
4. Секции для сушки
5. Основание

ВНИМАНИЕ!

Для дополнительной защиты целесообразно в цепи питания установить устройство защитного отключения (УЗО) с номинальным током срабатывания, не превышающим 30 мА; для установки следует обратиться к специалисту.

МЕРЫ БЕЗОПАСНОСТИ

Перед началом эксплуатации устройства внимательно прочитайте настоящую инструкцию по эксплуатации и сохраните её для использования в качестве справочного материала.

Используйте устройство только по его прямому назначению, как изложено в данной инструкции. Неправильное обращение с прибором может привести к его поломке, причинению вреда пользователю или его имуществу.

- Перед включением убедитесь в том, что напряжение электрической сети соответствует рабочему напряжению устройства.
- Используйте прибор только по его прямому назначению, применяйте только те аксессуары, которые входят в комплект поставки.
- Устанавливайте устройство на теплостойкой ровной устойчивой поверхности, вдали от источников тепла, влаги и прямого солнечного света.
- Не включайте прибор в местах, где распыляются аэрозоли или используются легковоспламеняющиеся жидкости.
- Не используйте прибор вне помещений.

- При эксплуатации прибора рекомендуется размотать сетевой шнур на всю его длину.
- Сетевой шнур не должен:
 - соприкасаться с горячими предметами,
 - протягиваться через острые кромки.
- Вынимая вилку сетевого шнура из электрической розетки, не тяните за шнур, а держитесь за вилку.
- Не беритесь за вилку сетевого шнура мокрыми руками.
- Никогда не оставляйте работающий прибор без присмотра.
- Не используйте и не храните устройство в местах, где оно может упасть в ванну или раковину, наполненную водой, не погружайте устройство в воду или в любую другую жидкость.
- Если устройство упало в воду, немедленно извлеките сетевую вилку из электрической розетки, и только после этого можно достать прибор из воды.
- Не допускайте попадания воды в вентиляционные отверстия прибора.
- Из соображений безопасности детей не оставляйте полиэтиленовые пакеты, используемые в качестве упаковки, без надзора.

Внимание! Не разрешайте детям играть с полиэтиленовыми пакетами или упаковочной плёнкой. **Опасность удушья!**

- Не разрешайте детям прикасаться к корпусу устройства, к сетевому шнуру или к вилке сетевого шнура во время работы устройства.
- Осуществляйте надзор за детьми, чтобы не допустить использования прибора в качестве игрушки.
- Будьте особенно внимательны, если поблизости от работающего устройства находятся дети или лица с ограниченными возможностями.
- Данное устройство не предназначено для использования детьми.
- Во время работы и в перерывах между рабочими циклами размещайте устройство в местах, недоступных для детей.
- Прибор не предназначен для использования лицами (включая детей) с пониженными физическими, психическими или умственными способностями или

РУССКИЙ

- при отсутствии у них опыта или знаний, если они не находятся под контролем или не проинструктированы лицом, ответственным за их безопасность, об использовании прибора.
- Не прикасайтесь к горячим поверхностям устройства.
 - Секции для сушки во время работы нагреваются. Перед снятием дайте им остыть.
 - Не вставляйте посторонние предметы в любые отверстия прибора.
 - Всякий раз после использования или перед чистой отключайте прибор от электрической сети.
 - Запрещается использовать устройство при наличии повреждений сетевой вилки или сетевого шнура, если устройство работает с перебоями, а также после его падения.
 - Запрещается самостоятельно ремонтировать прибор. Не разбирайте прибор самостоятельно, при возникновении любых неисправностей, а также после падения устройства отключите прибор от электросети и обратитесь в любой авторизованный (уполномоченный) сервисный центр по контактным адресам, указанным в гарантийном талоне и на сайте www.vitek.ru.
 - В целях защиты окружающей среды, после окончания срока службы прибора не выбрасывайте его вместе с бытовыми отходами, передайте прибор в специализированный пункт для дальнейшей утилизации.
 - Во избежание повреждений перевозите устройство только в заводской упаковке.
 - Храните устройство в местах, недоступных для детей.

УСТРОЙСТВО ПРЕДНАЗНАЧЕНО ТОЛЬКО ДЛЯ БЫТОВОГО ИСПОЛЬЗОВАНИЯ

ПЕРЕД ПЕРВЫМ ИСПОЛЬЗОВАНИЕМ
После транспортировки или хранения устройства при пониженной температуре необходимо выдержать его при комнатной температуре не менее 3 часов.

- Удалите любые элементы упаковки и наклейки, мешающие работе устройства.

- Убедитесь в том, что рабочее напряжение устройства соответствует напряжению электросети в вашем доме.
- Промойте секции для сушки (4) и основание (5) тёплой водой с нейтральным моющим средством, тщательно просушите.
- Крышку с моторным блоком (1) протрите влажной тканью, затем вытрите насухо.

Внимание! *Запрещается погружать крышку с моторным блоком (1) в воду или в любые другие жидкости. Не допускайте попадания воды в вентиляционные отверстия(3).*

ИСПОЛЬЗОВАНИЕ

- Установите основание (5) на ровную, устойчивую, теплостойкую поверхность.
- Установите на основание (5) секцию для сушки с ручками, далее секцию без ручек и далее в той же последовательности. Последней должна быть секция для сушки без ручек.
- Установите на секции для сушки (4) крышку с моторным блоком (1).
- Вставьте вилку сетевого шнура в электрическую розетку.
- Включите сушилку приблизительно на 30 минут, не загружая продукты, для этого установите переключатель режимов работы (2) в положение «2».

Примечание: - *при первом включении возможно появление постороннего запаха от нагревательного элемента, это допустимо.*

- Выключите сушилку, установив переключатель режимов работы (2) в положение «0».
- Продукты перед сушкой необходимо промыть, высушить и порезать на небольшие кусочки.
- Разложите продукты на секции для сушки (4) так, чтобы обеспечить свободный проход горячего воздуха между кусочками продуктов. Помните, что горячий воздух должен свободно циркулировать в секциях для сушки (4).
- Включите сушилку для этого установите переключатель режимов работы (2) в положение «1 или 2».
- Если кусочки продуктов тонкие и маленькие, используйте режим сушки «1».

Для толстых и больших кусочков продуктов, используйте режим сушки «2».

Примечания:

- сушилка работает по принципу естественной конвекции воздуха, поэтому ингредиенты, расположенные на нижних секциях, подвержены воздействию более горячего и сухого воздуха и высыхают быстрее.
- для обеспечения наилучших результатов сушки рекомендуется укладывать более влажные ингредиенты на нижние секции и периодически менять нижние и верхние секции местами.
- перед тем как поменять секции местами, выключите устройство, для этого установите переключатель режимов работы (2) в положение «0», выньте вилку сетевого шнура из розетки, снимите крышку с моторным блоком (1), после этого поменяйте секции (4) местами.
- По окончании сушки продуктов, выключите устройство, установив переключатель режимов работы (2) в положение «0» и выньте вилку сетевого шнура из розетки.

Примечания:

- каждый час проверяйте продукты на готовность.
- если продукты сушатся неравномерно, рекомендуется перевернуть их и поменять местами секции (4) для более равномерной сушки.
- время сушки каждого ингредиента подбирается индивидуально и зависит от качества, размера, температуры и относительной влажности в помещении.
- Дайте устройству и высушенным ингредиентам остыть.
- Расфасуйте готовые ингредиенты в пакеты или банки и уберите их на хранение (см. раздел «Хранение продуктов»).

РЕКОМЕНДАЦИИ

Во избежание пищевых отравлений или кишечных заболеваний строго соблюдайте нижеследующие рекомендации.

- Тщательно вымойте руки перед подготовкой продуктов к сушке.
- Соблюдайте чистоту рабочих поверхностей. После каждого использования сушилки промывайте секции (4) тёплой

водой с нейтральным моющим средством. Если у вас на руках имеются порезы, язвы, или если вы страдаете кожными заболеваниями, не касайтесь продуктов руками.

- Проверая, готовы ли продукты, не касайтесь их руками, а используйте для этого вилку, кухонную лопатку или другие приспособления.
- Не допускайте домашних животных на кухню во время использования сушилки.

Выбор овощей и фруктов для сушки

- Используйте только свежие фрукты или овощи.
- Только спелые фрукты, пригодные для сушки, незрелые плоды могут приобрести посторонний привкус.
- Перезрелые фрукты могут изменить свой цвет после сушки.
- Вырезайте любые подпорченные места.
- Не все овощи пригодны для сушки, так как в отличие от фруктов они содержат меньшее количество сахаров и кислот. Некоторые овощи, например, брокколи или спаржу, рекомендуется не сушить, а замораживать.
- Овощи готовы, если они стали сухими и твёрдыми.

Подготовка продуктов

- Тщательно промойте продукты.
- Удалите у фруктов косточки и повреждённые части.
- При необходимости удалите с овощей толстую кожицу. Обязательно срежьте кожицу, если овощи покрыты воском.
- Удалите плодоножки у фруктов.
- Порежьте овощи или фрукты ломтиками или кубиками.
- Ягоды или виноград сушите целиком.
- Зелень или пряные травы сушите вместе со стеблями.
- Чтобы улучшить вкусовые качества продуктов и увеличить их срок хранения, предварительно обработайте их перед сушкой. Данный шаг не является обязательным.
- Попробуйте сушить продукты с предварительной обработкой и без неё и решите, какой способ приготовления подходит именно для вас.

Предварительная обработка фруктов

- Для сохранения естественного цвета фруктов используйте сок ананаса, лимона, апельсина или лайма. Опустите кусочки фруктов в сок на 2 минуты, затем дайте им обсохнуть и выложите на секции (4) для сушки.
- Для усиления вкуса фруктов используйте натуральный сок из тех фруктов, которые подвергаются сушке (например, яблочных сок для яблок). Четверть стакана сока разведите в двух стаканах воды, замочите фрукты в растворе на 2 часа.
- Некоторые фрукты покрыты слоем натурального воска (финики, виноград, клюква, сливы и т.п.). Чтобы удалить воск и ускорить процесс сушки, опустите продукты в кипящую воду на 1-2 минуты.

Предварительная обработка овощей

Предварительная обработка овощей разрушает ферменты, которые вызывают изменение вкуса в процессе сушки и хранения. Обработка овощей паром или в микроволновой печи предпочтительнее обработки кипятком.

- Положите овощи на верхний лоток пароварки и прогрейте их в течение 2-3 минут. Сразу переложите овощи на секции (4).
- Положите овощи в подходящую ёмкость для использования в СВЧ-печах и добавьте в неё небольшое количество воды. Закройте ёмкость крышкой и поместите её в микроволновую печь. Установите время, которое составляет от времени варки, указанного в инструкции к вашей СВЧ-печи. Готовые овощи переложите на секции (4).
- Опустите порезанные овощи в кипящую воду, через 3-4 минуты достаньте их, обсушите бумажным полотенцем, затем разложите на секциях (4).

Время сушки

Время сушки каждого ингредиента подбирается индивидуально и зависит от качества и размера продуктов, а также от температуры и относительной влажности в помещении. По мере освоения сушилки для овощей и фруктов вы сами сможете подобрать желаемое время сушки.

Готовые фрукты должны быть мягкими, без влаги. Пересушенные фрукты хуже хранятся и содержат меньше питательных веществ.

Высушенные овощи должны быть твёрдыми и ломкими.

Примечание: Если вы не успели высушить продукты за один приём, вы можете продолжить сушку в удобное для вас время. В этом случае остудите продукты в секциях сушилки (4) до комнатной температуры, переложите продукты в полиэтиленовые пакеты или пищевые контейнеры и поместите их в морозильную камеру холодильника.

ДОПОЛНИТЕЛЬНЫЕ ВОЗМОЖНОСТИ

Травы, цветы, пряности

- Практически любые травы пригодны для сушки.
- Сушите пряные травы вместе со стеблями, после сушки отделите листья от стеблей.
- Убедитесь в том, что травы хорошо высушены, в противном случае может начаться процесс гниения.
- Высушенные цветы можно использовать для составления ароматных саше.

Сушка мяса и рыбы

- Сушите сырое или приготовленное мясо или рыбу. Предварительная подготовка мяса или рыбы сохраняет ваше здоровье и является обязательной.
- Вяленое мясо или рыбу можно использовать для приготовления первых или вторых блюд. Перед употреблением замочите их в воде или в бульоне на 1 час.
- Выбирайте для сушки только постное мясо без жира (например, говядину, птицу) и только свежую рыбу.
- Рыбу и мясо предварительно замаринуйте или отварите.

Рецепт маринада:

- 0,5 стакана соевого соуса
- 1 чайная ложка нарезанного чеснока
- 2 столовые ложки томатной пасты
- 1,25 чайной ложки соли
- 0,5 чайной ложки молотого перца

Приготовление вяленого мяса

Говядину порежьте поперёк волокон на небольшие кусочки. Положите ломтики мяса в маринад на 3 часа, затем извлеките и обсушите. Разложите кусочки на секции для сушки, сушите в течение 8-15 часов. Вяленое мясо храните в герметичной упаковке при комнатной температуре не более 2 недель, в холодильнике – не более 3 месяцев.

Приготовление вяленой рыбы

Для приготовления вяленой рыбы не используйте замороженную рыбу. Удалите кости, порежьте рыбу на кусочки. Поместите рыбу в раствор соли (полстакана соли на 1 литр воды) и на 30 минут поставьте в холодильник, извлеките кусочки рыбы и обсушите. Положите кусочки рыбы на блюдо и посыпьте солью с приправами (1 чайная ложка соли на 1 кг рыбы). Закройте блюдо и поставьте в холодильник на 6 часов.

Кусочки рыбы выложите в секции для сушки (4) и сушите до тех пор, пока не перестанет выделяться сок. Храните рыбу в холодильнике не более 3 месяцев.

Сушка готовой рыбы или мяса

Заранее отварите рыбу или мясо. Удалите жир, порежьте кубиками. Сушите до готовности. Храните в герметичной упаковке при комнатной температуре не более 2 недель, в холодильнике – не более 3 месяцев.

Хранение продуктов

Правильная упаковка сушёных продуктов увеличивает срок хранения.

- Дайте продуктам полностью остыть после сушки, затем поместите их в герметичные пластиковые пакеты. Наилучший результат даёт хранение продуктов в вакуумной упаковке.
- На пищевых контейнерах или пакетах, в которых будут храниться высушенные продукты, сделайте отметку о наименовании продукта и проставьте дату сушки.
- Чтобы предупредить порчу продуктов, периодически проверяйте, не образовалась ли влага в упаковках с сушеными продуктами. Обнаружив влагу, повторно высушите продукты.

- Храните продукты в темном прохладном месте. Оптимальная температура для хранения сушеных продуктов должна быть не выше 15°C. Для хранения сушёных продуктов используйте холодильное или морозильное отделение холодильника.
- По сравнению с овощами, фрукты содержат больше сахара и кислот, поэтому более пригодны для сушки и хранения. Регулярно проверяйте состояние сушёных фруктов.
- Храните сушёные фрукты, овощи, зелень, лечебные травы, орехи и сухари в холодильнике/морозильнике не более 1 года.

ЧИСТКА И УХОД

- Выключите сушилку, установив переключатель режимов работы (2) в положение «0», выньте вилку сетевого шнура из электрической розетки и дайте устройству остыть.
- Вымойте секции (4) и основание (5) тёплой водой с нейтральным моющим средством и просушите.
- Запрещается использовать для чистки крышки с моторным блоком (1), секций для сушки (4) и основания (5) абразивные моющие средства или растворители.
- Крышку с моторным блоком (1) протрите мягкой, слегка влажной тканью, затем вытрите насухо.
- Не погружайте крышку с моторным блоком (1) в воду или в любые другие жидкости. Не допускайте попадания воды в вентиляционные отверстия крышки моторного блока (1).

ХРАНЕНИЕ

- Перед тем, как убрать устройство на хранение, произведите чистку устройства.
- Для уменьшения габаритов при хранении сушилки переверните секцию для сушки с ручками и поместите её в основание (5), далее переверните секцию без ручек, поместите её в секцию без ручек и далее в той же последовательности, накройте секции для сушки (4) крышкой с моторным блоком (1).
- Храните устройство в сухом прохладном месте, недоступном для детей.

РУССКИЙ

КОМПЛЕКТ ПОСТАВКИ

Сушилка – 1 шт.

Инструкция по эксплуатации – 1 шт.

ТЕХНИЧЕСКИЕ ХАРАКТЕРИСТИКИ

Напряжение питания: 220-240 В ~ 50 Гц

Мощность: 400 Вт

Объем 15 л

Производитель оставляет за собой право изменять характеристики устройств без предварительного уведомления.

Срок службы прибора – 3 года



Данное изделие соответствует всем требуемым европейским и российским стандартам безопасности и гигиены.

Изготовитель: АНДЕР ПРОДАКТС ГмбХ, Австрия

Адрес: Нойбаугюртель 38/7А, 1070 Вена, Австрия

Информация для связи – email: anderproduct@gmail.com

Информация об Импортере указана на индивидуальной упаковке.

Информация об авторизованных (уполномоченных) сервисных центрах указана в гарантийном талоне и на сайте www.vitek.ru

Единая справочная служба:
+7 (495) 921-01-70

Сделано в Китае

КӨКӨНІСТЕР МЕН ЖЕМІСТЕРГЕ АРНАЛҒАН КЕПТІРГІШ VT-5056 W

Электрлік кептіргішті пайдаланып, Сіз көкөністерді, жемістерді дайындап, етті, балықты сүрлеп, дәрілік немесе татымдық өсімдіктерді кептіріп, әртүрлі гүлдерді және т.б. суалдыра аласыз.

СИПАТТАМАСЫ

1. Моторлық блогы бар қақпақ
2. Жұмыс режимдерінің ауыстырғышы «0-1-2»
3. Желдетіс саңылаулары
4. Кептіруге арналған секциялар
5. Негізі

НАЗАР АУДАРЫҢЫЗ!

Қосымша қорғаныс үшін қоректендіру тізбегінде 30 МА аспайтын номиналды іске қосылу тоғы бар қорғаныс сәну құрылғысын (ҚСҚ) орнату жөн; орнату үшін маманға хабарласу керек.

ҚАУІПСІЗДІК ШАРАЛАРЫ

Құрылғыны пайдалану алдында берілген пайдалану бойынша нұсқаулықты зейін қойып оқып шығыңыз және оны анықтамалық материал ретінде пайдалану үшін сақтап қойыңыз.

Құрылғыны тек оның тікелей міндеті бойынша берілген нұсқаулықта жазылғандай пайдаланыңыз. Аспапты дұрыс пайдаланбау оның бұзылуына, пайдаланушыға немесе оның мүлкіне зиян келтіруіне әкелуі мүмкін.

- Іске қосу алдында электр желісіндегі кернеу құрылғының жұмыс кернеуіне сәйкес келетініне көз жеткізіңіз.
- Аспапты тек оның тікелей міндет бойынша ғана пайдаланыңыз, Жеткізілім жинағына кіретін жабдықтарды ғана қолданыңыз.
- Құрылғыны жылуға төзімді тұзу тұрақты бетке, жылу, ылғал және тікелей күн сәулелері көздерінен алшақ орнатыңыз.
- Аспапты сепкіштер себілетін немесе тез тұтанатын сұйықтықтар пайдаланылатын жерлерде іске қоспаңыз.
- Аспапты бөлмелерден тыс пайдаланбаңыз.
- Аспапты пайдаланғанда желілік бауды оның толық ұзындығына тарқату ұсынылады.
- Желілік бау:
 - ыстық беттермен жанаспауы,
 - үшкір шеттермен тартылмауы керек.
- Желілік баудың айыртетігін электрлік ашалықтан суырғанда, баудан тартпаңыз, ал айыртетіктен ұстаңыз.

- Желілік баудың айыртетігінен сулы қолмен ұстамаңыз.
- Ешқашан жұмыс істеп тұрған аспапты қараусыз қалдырмаңыз.
- Құрылғыны суға толы ваннағыв немесе қолжуғышқа түсіп кет алатын жерде пайдаланбаңыз және сақтамаңыз, құрылғыны суға немесе кез-келген басқа сұйықтыққа салмаңыз.
- Егер құрылғы суға түсіп кетсе, дереу желілік баудың айыртетігін электрлік ашалықтан суырыңыз, және содан кейін ғана аспапты судан шығаруға болады.
- Аспаптың желдетіс саңылауларына судың тиюіне жол бермеңіз.
- Балалардың қауіпсіздігі мақсатында орау ретінде пайдаланылатын полиэтилен қаптарды қараусыз қалдырмаңыз.

Назар аударыңыз! Балаларға полиэтилен қаптармен немесе орайтын үлдірмен ойнауға рұқсат етпеңіз. **Тұншығу қаупі бар!**

- Құрылғы жұмыс істеп тұрған кезде балаларға прибор корпусына, желілік сымға және желілік сым ашасына қол тигізуіне рұқсат етпеңіз.
- Балалар приборды ойыншық ретінде пайдаланбас үшін оларды қадағалап отырыңыз.
- Егер жұмыс істеп тұрған құрылғының қасында балалар немесе мүмкіндіктері шектелген тұлғалар болса аса назар болыңыз.
- Бұл құрылғы балалардың қолдануына арналмаған.
- Жұмыс істеу және салқындау уақытында құрылғыны балалардың қолы жетпейтін жерде орналастырыңыз.
- Дене, жүйке немесе сана мүмкіндіктері төмендетілген тұлғалардың (балаларды қоса) немесе оларда тәжірибесі немесе білімі болмаса, егер олар бақыланбаса немесе олардың қауіпсіздігі үшін жауап беретін тұлғамен аспапты пайдалану туралы нұсқаулықтар берілген болмаса, аспап олардың пайдалануына арналмаған.
- Құрылғының ыстық беттеріне қолыңызды тигізбеңіз.
- Кептіруге арналған секциялар жұмыс істегенде қызады. Шешу алдында оларға салқындауға уақыт беріңіз.
- Бөтен заттарды аспаптың кез-келген саңылауларына салмаңыз.
- Әр пайдаланған сайын немесе тазалау алдында аспапты электрлік желіден ажыратыңыз.

ҚАЗАҚША

- Аспапты өз бетімен жөндеуге тыйым салынады. Аспапты өз бетіңізбен бөлшектемеңіз, кез-келген ақаулықтар пайда болғанда қоректендіру элементтерін батареялық бөліктен шығарыңыз және кепілдік талоны мен www.vitek.ru сайтында көрсетілген хабарласу мекен-жайлары бойынша кез-келген туындыгерлес (өкілетті) қызмет көрсету орталығына хабарласыңыз.
- Қоршаған ортаны қорғау мақсатында, аспаптың қызмет ету мерзімі аяқталғаннан кейін оны тұрмыстық қоқыстармен бірге тастамаңыз, аспапты арнайы пунктке келесі қайта өңдеу үшін өткізіңіз.
- Бұзылуларға жол бермеу үшін құрылғыны тек зауыттық орауда ғана тасымалдаңыз.
- Құрылғыны балалардың қолы жетпейтін жерде сақтаңыз.

ҚҰРЫЛҒЫ ТЕК ТҰРМЫСТА ПАЙДАЛАНУҒА АРНАЛҒАН

АЛҒАШҚЫ ПАЙДАЛАНУ АЛДЫНДА

Құрылғыны төмен жағдайларында сақтаған немесе тасымалдаған кезде оны бөлме температурасында 3 сағаттан кем емес уақыт ұстау керек.

- Құрылғының жұмысына кедергі болатын ке-келген орау элементтерін және жапсырмаларды жойыңыз.
- Құрылғының жұмыс істеу кернеуі сіздің үйіңіздегі электржелісі кернеуіне сәйкес келетініне көз жеткізіңіз.
- Кептіруге арналған секцияларды (4) және негізін (5) бейтарап жуғыш заты бар жылы сумен жуыңыз, мұқият құрғатыңыз.
- Моторлық блогы бар қақпақты (1) дымқыл матамен сүртіңіз, содан кейін құрғатып сүртіңіз.

Назар аударыңыз! Моторлық блогы бар қақпақты (1) суға немесе кез-келген басқа сұйықтықтарға матыруға тыйым салынады. Судың желдетіс саңылауларына (3) тиюіне жол бермеңіз.

ПАЙДАЛАНУ

- Негізін (5) түзу, тұрақты, жылуға төзімді бетке орнатыңыз.
- Негізіне (5) қолсаптары бар кептіруге арналған секцияны, содан кейін қолсаптары жоқ секцияны және содан кейін сол кезектілікпен

орнатыңыз. Соңғысы болып қолсаптары жоқ кептіруге арналған секция орнатылуы керек.

- Кептіруге арналған секцияларды (4) моторлық блогы бар қақпаққа (1) орнатыңыз.
- Желілік баусымның айыртетігін электрлік ашалыққа салыңыз.
- Кептіргішті, тамақ өнімдерін салмай, шамамен 30 минутқа іске қосыңыз, бұл үшін жұмыс режимдерінің ауыстырығышын (2) «2» күйіне белгілеңіз.

Ескерту: алғашқы іске қосқан кезде қыздырғыш элементтен бөтен иіс пайда болуы мүмкін, бұл қалыптты құбылыс.

- Жұмыс режимдерінің ауыстырығыш (2) «0» күйіне белгілеп, кептіргішті сөндіріңіз.
- Кептіру алдында, тамақ өнімдерін жуу, құрғату және шағын бөліктерге турау қажет.
- Тамақ өнімдерін кептіруге арналған секцияның (4) үстіне тамақ өнімдері бөліктерінің арасымен ыстық ауаның еркін өтуін қамтамасыз етіп салыңыз. Ыстық ауаның кептіруге арналған секцияларда (4) еркін айналымы болуы керек екенін есте сақтаңыз.
- Кептіргішті іске қосыңыз, бұл үшін жұмыс режимдерінің ауыстырығышын (2) «1 немесе 2» күйіне белгілеңіз.
- Егер тамақ өнімдерінің бөліктері жұқа және шағын болса, «1» кептіру режимін пайдаланыңыз. Қалың және ірі тамақ өнімдерінің бөліктері үшін «2» кептіру режимін пайдаланыңыз.

Ескерту:

- кептіргіш ауаның табиғи конвекциясы қағидасы бойынша жұмыс істейді, сондықтан төменгі секцияларды орналасқан құрамдас бөліктерге анағұрлым ыстық ауаның әсері тиеді және тезірек кебеді.
- кептірудің ең жақсы нәтижелерін қамтамасыз ету үшін анағұрлым ылғалды құрамдас бөліктерді төменгі секцияларға салу және төменгі және жоғарғы сепқциялардың орнын мезгілімен ауыстырып отыру ұсынылады.
- секциялардың орнын ауыстыру алдында, құрылғыны сөндіріңіз, бұл үшін жұмыс режимдерінің ауыстырығышын (2) «0» күйіне белгілеңіз, желілік баусымның айыртетігін ашалықтан шығарыңыз, моторлық блогы бар қақпақты (1) шешіңіз, осыдан кейін секциялардың (4) орнын ауыстырыңыз.
- Тамақ өнімдерін кептіріп болғаннан кейін жұмыс режимдерінің ауыстырығышын (2) «0»

күйіне белгілеп, құрылғыны сәндіріңіз және желілік баусымның айыртетігін ашалықтан шығарыңыз.

Ескерту:

- *әр сағаттан сайын тамақ өнімдерінің дайын болуын тексеріңіз.*
- *егер тамақ өнімдері біркелкі емес кептіріліп жатса, анағұрлым біркелкі кептіру үшін оларды аудару және секциялардың (4) орнын ауыстыру ұсынылады.*
- *әр құрамдас бөліктің кептіру уақыты жеке таңдалады және сапасына, үлкендігіне, панажайдағы температура мен салыстырмалы ылғалдылыққа байланысты болады.*
- Құрылғыға және кептірілген құрамдас бөліктерге салқындауға уақыт беріңіз.
- Дайын құрамдас бөліктерді дестелерге немесе банкаларға салыңыз және оларды сақтауға салып қойыңыз («Тамақ өнімдерін сақтау» бөлімін қар.).

ҰСЫНЫСТАР

Тағамдық улануға және ішек ауруларына жол бермеу үшін төменде келтірілген ұсыныстарды қатаң сақтаңыз.

- Тағамдарды кептіруге дайындау алдында қолыңызды жақсылап жуыңыз.
- Жұмыс беттерінің тазалығын сақтаңыз. Кептіргішті әр пайдаланған сайын секцияларды (4) бейтарап жуғыш заты бар жылы сумен жуыңыз. – Егер сіздің қолыңызда тіліктер, жаралар, немесе егер сіз тері ауруларымен ауырсаңыз, тамақ өнімдеріне қолыңызды тигізбеңіз.
- Тағамдардың дайындығын тексергенде, оларға қолыңызды тигізбеңіз, ал шанышқыны, асханалық қалақты немесе басқа құралдарды пайдаланыңыз.
- Кептіргішті пайдаланған уақытта үй жануарларын асханаға жібермеңіз.

Кептіруге арналған көкөністер мен жемістерді таңдау

- Жаңа жұлынған жемістер мен көкөністерді пайдаланыңыз.
- Тек піскен жемістер кептіруге жарамды, піспеген жемістерде бөтен дәм пайда болуы мүмкін.
- Пісіп кеткен жемістер кептіргеннен кейін өзінің түсін өзгертуі мүмкін.
- Барлық бүлінген жерлерін кесіп тастаңыз.

- Барлық көкөністер кептіруге жарамды емес, себебі жемістерге қарағанда олардың құрамында қант пен қышқылдар аз. Кейбір көкөністерді, мысалы, брокколи немесе спаржаны, кептіру емес, мұздату ұсынылады.
- Көкөністер құрғақ және қатты болғанда, дайын болады.

Тағамдарды дайындау

- Тағамдарды жақсылап жуыңыз.
- Жемістерден сүйектерді және бүлінген бөліктерді жойыңыз.
- Қажет болғанда көкөністердің қалың қабығын жойыңыз. Егер көкөністерге балауыз жағылған болса, қабығын міндетті жойыңыз.
- Жемістердің сабақтарын жойыңыз.
- Көкөністерді немесе жемістерді тілімдерге немесе текшелерге тураңыз.
- Жидектерді немесе жүзімді тұтас кепітіріңіз.
- Жасыл-көкті немесе хош иісті шөптерді сабақтарымен бірге кепітіріңіз.
- Тағамдардың дәмдік қасиеттерін жақсарту және сақталу мерзімін ұзарту үшін оларды алдын-ала өңдеңіз. Берілген қадам міндетті болып есептелмейді.
- Тағамдарды алдын-ала өңдеп және өңдемей кепітіріп көріңіз, сізге жарамды әдісті таңдаңыз.

Жемістерді алдын-ала өңдеу

- Жемістердің табиғи түсін сақтау үшін ананастың, лимонның, апельсиннің немесе лаймның шырынын пайдаланыңыз. Жеміс бөліктерін шырынға 2 минутқа салыңыз, содан кейін оларға кебуге уақыт беріңіз және секцияларға (4) кептіру үшін салыңыз.
- Жемістердің дәмін күшейту үшін кептіріліп жатқан жемістердің шырынын пайдаланыңыз (мысалы, алма шырынын алма үшін). Шырынның төрттен бір бөлігін екі стакан суға езіңіз, жемістерді ерітіндіге 2 сағатқа сллалып қойыңыз.
- Кейбір жемістер (құрма, жүзім, мүкжидек, алхоры) табиғи балауызбен қапталған. Балызды жою және кептіру процесін тездету үшін тағамдарды қайна жатқан суға 1-2 минутқа салыңыз.

Көкөністерді алдын-ала өңдеу

Көкөністерді алдын-ала өңдеу кептіру және сақтау процесінде дәмнің өзгеруіне әкелетін ферменттерді жояды.

ҚАЗАҚША

Көкөністерді бумен немесе микротолқынды пеште өңдеу қайнаған сумен өңлегеннен тиімдірек.

- Көкөністерді буға пісіргіштің жрғағы табағына салыңыз және 2-3 минут жылытыңыз. Көкөністерді секцияларға (4) бірден салыңыз.
- Көкөністерді АЖЖ-пештерінде пайдалануға жарамды ыдысқа салыңыз және оған шамалы су қосыңыз. Ыдысты қақпақпен жабыңыз және оны микротолқынды пешке салыңыз. Сіздің АЖЖ-пешіңіздің нұсқаулығында көрсетілген пісіру уақытынан $\frac{1}{4}$ бөлігін белгілеңіз. Дайын тағамдарды секцияларға (4) салыңыз.
- Туралған көкөністерді қайнап жатқан суға салыңыз, 3-4 минуттан кейін оларды шығарыңыз, қағаз сүлгімен құрғатыңыз, содан кейін секцияларға (4) салыңыз.

КЕПТІРУ УАҚЫТЫ

Әр құрамдас бөліктің кептіру уақыты жеке таңдалады және сапасына, үлкендігіне, панажайдағы температура мен салыстырмалы ылғалдылыққа байланысты болады.

Көкөністер мен жемістерге арналған кептіргішті игеру барысында сіз өзіңіз кептіру уақытын таңдай аласыз.

Дайын жемістер жұмсақ, ылғалсыз болуы керек. Қатты кептірілген жемістер жаман сақталады және пайдалы заттары аз болады.

Кепітірілген көкөністер қатты және снғыш болуы керек.

Ескерту: Егер сіз бір ретте тағамдарды кептіруге үлгермесеңіз, сіз кептіруге сізге ыңғайлы уақытта жалғастыра аласыз. Бұл жағдайда кептіруге арналған секциялардағы (4) тағамдарды бөлме температурасына дейін салқындатыңыз, тағамдарды полиэтилен қаптарға немесе тағамдық контейнерлерге салыңыз және оларды тоңазытқыштың мұздату камерасына салыңыз.

ҚОСЫМША МҮМКІНДІКТЕР

Шөптер, гүлдер, хош иістер

- Тәжірибеде барлық шөптер кептіруге жарамды.
- Хош иісті шөптерді сабақтарымен бірге кептіріңіз, кептіргеннен кейін жапырақтарды сабақтарынан бөліңіз.
- Шөптердің жақсы кептірілегіне көз жеткізіңіз, кері жағдайда шіру процесі бастала алады.
- Кептірілген гүлдерді хош иісті сашеларды құрау үшін пайдалануға болады.

Ет пен балықты кептіру

- Шикі немесе піскен ет немесе балықты кептіріңіз. Ет немесе балықты алдын-ала дайындау сіздің денсаулығыңызды сақтайды және міндетті болып есептеледі.
- Сүрленген ет немесе балықты бірінші немесе екінші тағамдарды дайындау үшін пайдалануға болады. Қабылдау алдында оларды суға немесе сорпаға 1 сағатқа салып қойыңыз.
- Кептіру үшін майсыз етті (мысалы, сиыр, құс) және жаңа ауланған балықты таңдаңыз.
- Балықты және етті алдын-ала тұздаңыз немесе пісіріңіз.

Тұздық дайындау әдісі:

0,5 стакан соя тұздығы
1 шай қасық туралған сарымсақ
2 ас қасық томат пастасы
1,25 шай қасық тұз
0,5 шай қасық ұнтақталған бұрыш

Сүрленген еті дайындау

Сиыр етін тарамдарда көлденең шағын бөліктерге тураңыз. Ет бөліктерін тұздыққа 3 сағатқа салып қойыңыз, содан кейін шығарыңыз және құрғатыңыз. Бөліктерді кептіруге арналған секцияларға салыңыз, 8-15 сағат бойы кептіріңіз. Сүрленген етті бөлме температурасында 2 аптадан асырмай сақтаңыз, тоңазытқышта – 3 айдан асырмай.

Сүрленген балықты дайындау

Сүрленген балықты дайындау үшін мұздатылған балықты пайдаланбаңыз. Сүйектерін жойыңыз, балықты бөліктерге бөліңіз. Балықты тұз ерітіндісіне (жарты стакан тұз 1 литр суға) салыңыз және 30 минутқа тоңазытқышқа салыңыз, балық бөліктерін шығарыңыз және құрғатыңыз. Балық бөліктерін табаққа салыңыз тұз бен дәмдеуіштерді (1 шай қасық тұз 1 кг балыққа) себіңіз. табақты жабыңыз және тоңазытқышқа 6 сағатқа салыңыз.

Балық бөліктерін кептіруге арналған секцияларға (4) салыңыз және сөл бөлінбегенге дейін кептіріңіз. Балықты тоңазытқышта 3 айдан артық сақтамаңыз.

Дайын балықты немесе етті кептіру

Балықты немесе етті алдын-ала пісіріп алыңыз. Майын кесіп алыңыз, текшелерге тураңыз. Дайын болғанға дейін кептіріңіз. Тығыз орауда бөлме температурасында 2 аптадан артық емес, тоңазытқышта – 3 айдан артық емес сақтаңыз.

Тағамдарды сақтау

Кептірілген тағамдарды дұрыс орау сақтау мезімін ұзартады.

- Тағамдарға толық салқындауға уақыт беріңіз, содан кейін оларды тығыз пластик қаптарға салыңыз. Тағамдарды вакуумда орауда сақтау ең жақсы нәтижелер береді.
- Кептірілген тағамдар сақталатын тағамдық контейнерлерде немесе қаптарда тағамның атауын және кептіру уақытын жазып қойыңыз.
- Тағамдардың бұзылу уақытын алдын-алу үшін кептірілген тағамдары бар ораударда ылғалдың пайда болуын тексеріп тұрыңыз. Ылғал табылса, тағамдарды қайталап құрғатыңыз.
- Тағамдарды қараңғы салқын жерде сақтаңыз. Кептірілген тағамдарды сақтаудың оптималды температурасы 15°C-ден аспауы керек. Кептірілген тағамдарды сақтау үшін тоңазытқыштың тоңазытатын немесе мұздататын бөлігін пайдаланыңыз.
- Көкөкністерге қарағанда, жемістердің қант пен қышқылдары көбірек, сондықтан кептіруге және сақтауға анағұрлым жарамдырақ. Кептірілген жемістердің күйін үнемі тексеріп тұрыңыз.
- Кептірілген жемістерді, көкөністерді, жасыл-көкті, дәрілік шөптерді, жаңғақтарды және анн қытырлақтарын тоңазытқышта/мұздатқышта 1 жылдан асырмай сақтаңыз.

ТАЗАЛАУ ЖӘНЕ КҮТІМ

- Жұмыс режимдерінің ауыстырғышын (2) «0» күйіне белгілеп, кептіргішті сөндіріңіз, желілік баусымның айыртетігін электрлік ашалықтан суырыңыз және құрылғыға салқындауға уақыт беріңіз.
- Секциялар (4) мен негізін (5) бейтарап жуғыш заты бар жылы сумен жуыңыз және құрғатыңыз.
- Моторлық блогы бар қақпақты (1), кептіруге арналған секцияларды (4) және негізін (5) тазалау үшін қажайтын жуғыш заттарды немесе еріткіштерді пайдалануға тыйым салынады.

- Моторлық блогы бар қақпақты (1) жұмсақ, сәл дымқыл матамен сүртіңіз, содан кейін құрғатып сүртіңіз.
- Моторлық блогы бар қақпақты (1) суға немесе кез-келген басқа сұйықтықтарға матырмаңыз. Моторлық блок қақпағының (1) желдетіс саңылауларына судың тиюіне жол бермеңіз.

САҚТАУ

- Құрылғыны сақтауға салып қойғанға дейін, құрылғыны тазалауды жүргізіңіз.
- Сақтау кезінде өлшемдерін азайту үшін қолсаптары бар секцияны төңкеріңіз және оны негізіне (5) салыңыз, содан кейін қолсаптары жоқ секцияны төңкеріңіз және қолсаптары жоқ секцияға салыңыз және әрі қарай сол кезектілікпен салыңыз, кептіруге арналған секцияларды (4) моторлық блогы бар қақпақпен (1) жабыңыз.
- Құрылғыны құрғақ салқын, балалардың қолы жетпейтін жерде сақтаңыз.

Жеткізілім жинағы

Кептіргіш – 1 дн.

Пайдалану бойынша нұсқаулық – 1 дн.

Техникалық сипаттамалары

Қоректендіру кернеуі: 220-240 В ~ 50 Гц

Қуаты: 300 Вт

Көлемі: 10 л

Өндіруші құрылғылардың сипаттамаларын өзгерту құқығын алдын-ала хабарлаусыз сақтайды.

Асптың қызмет ету мерзімі – 3 жыл

Гарантиялық міндеттілігі

Гарантиялық жағдайдағы қаралып жатқан бөлшектер дилерден тек сатып алынған адамға ғана беріледі. Осы гарантиялық міндеттілігіндегі шағымдалған жағдайда төлеген чек немесе квитанциясын көрсетуі қажет.

EAC

УКРАЇНЬСКА

СУШАРКА ДЛЯ ОВОЧІВ ТА ФРУКТІВ VT-5056 W

Використовуючи електричну сушарку, Ви можете заготовлювати овочі, фрукти, в'ялити м'ясо, рибу, сушити лікарські або пряні трави, засушувати різноманітні квіти і т.ін.

ОПИС

1. Кришка з моторним блоком
2. Перемикач режимів роботи «0-1-2»
3. Вентиляційні отвори
4. Секції для сушіння
5. Основа

УВАГА!

Для додаткового захисту доцільно в ланцюг живлення встановити пристрій захисного відключення (ПЗВ) з номінальним струмом спрацьовування, що не перевищує 30 мА; для установки слід звернутися до фахівця.

ЗАХОДИ БЕЗПЕКИ

Перед початком експлуатації пристрою уважно прочитайте цю інструкцію з експлуатації і збережіть її для використання в якості довідкового матеріалу.

Використовуйте пристрій лише по його прямому призначенню, як викладено в даній інструкції. Неправильне поводження з приладом може привести до його поломки, спричинення шкоди користувачеві або його майну.

- Перед вмиканням переконайтеся в тому, що напруга електричної мережі відповідає робочій напрузі пристрою.
- Використовуйте прилад лише по його прямому призначенню, застосовуйте лише ті аксесуари, які входять в комплект поставлення.
- Встановлюйте пристрій на теплостійкій, рівній і стійкій поверхні, далеко від джерел тепла, вологи і прямого сонячного світла.
- Не вмикайте прилад в місцях, де розпилюються аерозолі або використовуються легкозаймисті рідини.
- Не використовуйте прилад поза приміщеннями.
- При експлуатації приладу рекомендується розмотати мережевий шнур на всю його довжину.
- Мережевий шнур не має:
 - стикатися з гарячими предметами,
 - протягуватися через гострі кромки.

- Виймаючи вилку мережного шнура з розетки, не тягніть за шнур, а тримайтеся за вилку.
- Не беріться за вилку мережевого шнура мокрими руками.
- Ніколи не залишайте працюючий прилад без нагляду.
- Не використовуйте та не зберігайте пристрій у місцях, де він може впасти у ванну або раковину, наповнену водою, не занурюйте пристрій у воду або у будь-яку іншу рідину.
- Якщо пристрій впав у воду, негайно витягніть мережеву вилку з електричної розетки, і лише після цього можна дістати прилад з води.
- Не допускайте потрапляння води в вентиляційні отвори приладу.
- З міркувань безпеки дітей не залишайте поліетиленові пакети, що використовуються як упаковка, без нагляду.

Увага! Не дозволяйте дітям грати з поліетиленовими пакетами або пакувальною плівкою. **Загроза ядухи!**

- Не дозволяйте дітям торкатися корпусу пристрою, мережного шнура або вилки мережного шнура під час роботи пристрою.
- Здійснюйте нагляд за дітьми, щоб не допустити використання пристрою як іграшки.
- Будьте особливо уважні, якщо поблизу від працюючого пристрою знаходяться діти або особи з обмеженими можливостями.
- Цей пристрій не призначений для використання дітьми.
- Під час роботи і охолодження розміщайте пристрій у місцях, недоступних для дітей.
- Пристрій не призначений для використання особами (включаючи дітей) зі зниженими фізичними, психічними і розумовими здібностями або при відсутності у них досвіду або знань, якщо вони не знаходяться під контролем або не проінструктовані щодо використання пристрою особою, відповідальною за їх безпеку.
- Не торкайтеся гарячих поверхонь пристрою.
- Секції для сушки під час роботи нагріваються. Перед зняттям дайте їм охолонути.
- Не вставляйте сторонні предмети у будь-які отвори пристрою.
- Кожного разу після використання і перед чищенням вимикайте пристрій від електричної мережі.

- Забороняється самостійно ремонтувати пристрій. Не розбирайте пристрій самостійно, при виникненні будь-яких несправностей, а також після падіння пристрою вимкніть пристрій з електричної розетки та зверніться до найближчого авторизованого (уповноваженого) сервісного центру за контактними адресами, вказаними у гарантійному талоні та на сайті www.vitek.ru.
- Для захисту навколишнього середовища після закінчення терміну служби пристрою не викидайте його разом з побутовими відходами, передайте пристрій у спеціалізований пункт для подальшої утилізації.
- Щоб уникнути пошкоджень перевозьте пристрій тільки в заводській упаковці.
- Зберігайте пристрій у місцях, недоступних для дітей.

ПРИЛАД ПРИЗНАЧЕНИЙ ЛИШЕ ДЛЯ ПОБУТОВОГО ВИКОРИСТАННЯ

ПЕРЕД ПЕРШИМ ВИКОРИСТАННЯМ

Після транспортування або зберігання приладу при зниженій температурі необхідно витримати його при кімнатній температурі не менше 3 годин.

- Видалите будь-які наклейки і елементи упаковки, що заважають роботі пристрою.
- Переконайтеся у тому, що робоча напруга пристрою відповідає напрузі електромережі у вашому будинку.
- Промийте секції для сушіння (4) та основу (5) теплою водою з нейтральним мийним засобом, ретельно просушіть.
- Кришку з моторним блоком (1) протріть вологою тканиною, потім витріть насухо.

Увага! Забороняється занурювати кришку з моторним блоком (1) у воду або у будь-які інші рідини. Не допускайте потрапляння води у вентиляційні отвори (3).

ВИКОРИСТАННЯ

- Установіть основу (5) на рівну, стійку, теплостійку поверхню.
- Установіть на основу (5) секцію для сушіння з ручками, далі секцію без ручок і далі у тій же послідовності. Останньою має бути секція для сушіння без ручок.
- Установіть на секції для сушіння (4) кришку з моторним блоком (1).

- Вставте вилку мережного шнура в електричну розетку.
- Увімкніть сушарку приблизно на 30 хвилин, не завантажуючи продукти, для цього установіть перемикач режимів роботи (2) у положення «2».

Примітка: при першому увімкненні можливе з'явлення стороннього запаху від нагрівального елемента, це допустимо.

- Вимкніть сушарку, установивши перемикач режимів роботи (2) у положення «0».
- Продукти перед сушінням необхідно промити, висушити та порізати на невеликі шматочки.
- Розкладіть продукти на секції для сушіння (4) так, щоб забезпечити вільне проходження гарячого повітря між шматочками продуктів. Пам'ятайте, що гаряче повітря має вільно циркулювати у секціях для сушіння (4).
- Увімкніть сушарку, для цього установіть перемикач режимів роботи (2) у положення «1 або 2».
- Якщо шматочки продуктів тонкі та маленькі, використовуйте режим сушіння «1». Для товстих та великих шматочків продуктів використовуйте режим сушіння «2».

Примітки:

- сушарка працює за принципом природної конвекції повітря, тому інгредієнти, розташовані на нижніх секціях, піддані дії гарячішого та сухішого повітря і висихають швидше;
- для забезпечення найкращих результатів сушіння рекомендується укладати вологіші інгредієнти на нижні секції та періодично міняти нижні та верхні секції місцями;
- перед тим, як поміняти секції місцями, вимкніть пристрій, для цього установіть перемикач режимів роботи (2) у положення «0», вийміть вилку мережного шнура з розетки, зніміть кришку з моторним блоком (1), після цього поміняйте секції (4) місцями;
- Після закінчення сушіння продуктів вимкніть пристрій, установивши перемикач режимів роботи (2) у положення «0», та вийміть вилку мережного шнура з розетки.

Примітки:

- щогодини перевіряйте продукти на готовність.
- якщо продукти сушаться нерівномірно, рекомендується перевернути їх та помі-

УКРАЇНЬСКА

няти місцями секції (4) для рівномірнішого сушіння.

- час сушіння кожного інгредієнта підбирається індивідуально та залежить від якості, розміру, температури та відносної вологості у приміщенні.
- Дайте пристрою та висушеним інгредієнтам остигнути.
- Розфасуйте готові інгредієнти у пакети або банки та заберіть їх на зберігання (див. розділ «Зберігання продуктів»).

РЕКОМЕНДАЦІЇ

Щоб уникнути харчових отруєнь і кишкових захворювань строго дотримуйтеся наступних рекомендацій.

- Ретельно мийте руки перед підготуванням продуктів до сушіння.
- Дотримуйтеся чистоти робочих поверхонь. Після кожного використання сушарки промивайте секції (4) теплою водою з нейтральним мийним засобом. – Якщо у вас на руках є порізи, виразки або якщо ви хворієте шкірними захворюваннями, не торкайтеся продуктів голими руками.
- Перевіряючи, чи готові продукти, не торкайтеся їх руками, а використовуйте для цього вилку, кухонну лопатку або і інші приладдя.
- Не допускайте домашніх тварин на кухню під час використання сушарки.

Вибір овочів і фруктів для сушіння

- Використовуйте тільки свіжі фрукти або овочі.
- Лише стиглі фрукти придатні для сушіння, неспілі плоди можуть отримати сторонній присмак.
- Перезрілі фрукти можуть змінити свій колір після сушіння.
- Вирізуйте будь-які зіпсовані місця.
- Не всі овочі придатні для сушіння, так як на відміну від фруктів вони містять меншу кількість цукрів і кислот. Деякі овочі, наприклад, броколі і спаржу, рекомендується не сушити, а заморожувати.
- Овочі готові, якщо вони стали сухими та твердими.

Підготування продуктів

- Ретельно промийте продукти.
- Видаліть у фруктів кісточки та ушкоджені частини.

- При необхідності видаліть з овочів товсту шкуру. Обов'язково зрізуйте шкірку, якщо овочі покриті воском.
- Видаліть плодоніжки у фруктів.
- Поріжте овочі або фрукти скибочками або кубиками.
- Ягоди або виноград можна сушити цілком.
- Зелень або пряні трави сушіть разом зі стеблами.
- Щоб поліпшити смакові якості продуктів і збільшити їх термін зберігання, заздалегідь обробіть їх перед сушінням. Даний крок не є обов'язковим.
- Спробуйте сушити продукти з попередньою обробкою і без неї і вирішите, який спосіб приготування личить саме вам.

Попередня обробка фруктів

- Щоб зберегти природний колір фруктів використовуйте сік ананаса, лимона, апельсина або лайму. Занурте шматочки фруктів в сік на 2 хвилини, потім дайте їм обсохнути і викладіть на секції (5) для сушіння.
- Щоб підсилити натуральний смак фруктів, використовуйте натуральний сік, приготований з того типу фруктів, який піддається сушінню (наприклад, яблучний сік - для яблук). Четверть стакана натурального соку розведіть в двох стаканах води, замочіть фрукти в розчині на 2 години.
- Деякі фрукти покриті захисним шаром натурального воску (фініки, виноград, журавлина, сливи тощо). Щоб видалити віск та прискорити процес сушіння, опустіть продукти у киплячу воду на 1-2 хвилини.

Попередня обробка овочів

Попередня обробка овочів руйнує ферменти, які викликають зміну смаку в процесі сушіння та зберігання.

Обробка паром або в мікрохвильовій печі переважна обробки окропом.

- Покладіть овочі на верхній лоток пароварки і прогрійте їх протягом 2-3 хвилин. Зразу перекладіть овочі на секції (4).
- Покладіть овочі в відповідну ємність для використання у НВЧ-печах та додайте до неї невелику кількість води. Закрийте ємність кришкою і помістіть її в мікрохвильову піч. Установіть час, який складає від часу варіння, вказаного в інструкції до

вашої НВЧ-печі. Готові овочі перекладіть на секції (4).

- Опустіть порізані овочі у киплячу воду, через 3-4 хвилини дістаньте їх, обсушіть паперовим рушником, потім розкладіть на секціях (4).

Час сушіння

Час сушіння кожного інгредієнта підбирається індивідуально та залежить від якості та розміру продуктів, а також від температури та відносної вологості у приміщенні.

У міру освоєння сушарки для овочів і фруктів ви сами зможете підібрати бажаний час сушіння.

Готові фрукти мають бути м'якими, без вологи. Пересушені фрукти гірше зберігаються і містять менше живильних речовин.

Овочі повинні мають бути твердими та ламкими.

Примітка: Якщо ви не встигли висушити продукти за одним разом, ви можете продовжити сушіння в зручний для вас час. У цьому разі остудіть продукти у секціях сушарки (4) до кімнатної температури, перекладіть продукти у поліетиленові пакети або харчові контейнери та помістіть їх в морозильну камеру холодильника.

ДОДАТКОВІ МОЖЛИВОСТІ

Трави, квіти, прянощі

- Практично будь-які трави придатні для сушіння.
- Сушіть пряні трави разом із стеблами, після сушіння від'єднайте листя від стебел.
- Переконайтеся тому, що трави добре висушені, інакше може початися процес гниття.
- Висушені квіти можна використовувати для складання ароматних саше.

Сушіння м'яса і риби

- Сушіть сире або приготоване м'ясо або рибу. Попереднє підготування м'яса або риби зберігає ваше здоров'я та є обов'язковим.
- В'ялене м'ясо або рибу можна використовувати для приготування перших та других страв. Перед споживанням замочіть їх у воді або бульйоні на 1 годину.
- Вибирайте для сушіння тільки пісне м'ясо без жиру (наприклад, яловичину, птицю) і лише свіжу рибу.

- Рибу і м'ясо заздалегідь замаринуйте або відваріть.

Рецепт маринаду:

- 0,5 стакана соєвого соусу
- 1 чайна ложка нарізаного часнику
- 2 столових ложки томатної пасты
- 1,25 чайної ложки солі
- 0,5 чайної ложки меленого перцю

Приготування в'яленого м'яса

Яловичину поріжте проти волокон на невеликі шматочки. Покладіть скибочки м'яса в маринад на 3 години, потім витягніть і обсушіть. Розкладіть шматочки на секції для сушіння, сушіть протягом 8-15 годин. В'ялене м'ясо зберігайте в герметичній упаковці при кімнатній температурі не більше 2 тижнів, в холодильнику – не більше 3 місяців.

Приготування в'яленої риби

Для приготування в'яленої риби не використовуйте заморожену рибу. Видалите кістки, поріжте рибу на шматочки. Помістіть рибу у розчин солі (півстакана солі на 1 літр води) та на 30 хвилин поставте в холодильник, витягніть шматочки риби і обсушіть. Покладіть шматочки риби на блюдо і посипте сіллю з приправами (1 чайна ложка солі на 1 кг риби). Закрийте блюдо і поставте в холодильник на 6 годин.

Шматочки риби викладіть в секції для сушіння і (4) сушіть до тих пір, поки не перестане виділятися сік. Зберігайте рибу в холодильнику не більше 3 місяців.

Сушіння готової риби або м'яса

Заздалегідь відварите рибу або м'ясо. Видалите жир, поріжте кубиками. Сушіть до готовності. Зберігайте в герметичній упаковці при кімнатній температурі не більше 2 тижнів, в холодильнику – не більше 3 місяців.

Зберігання продуктів

Правильне упакування сушених продуктів збільшує термін зберігання.

- Дайте продуктам повністю остигнути після сушки, потім помістіть їх в герметичні пластикові пакети. Найкращий результат дає зберігання продуктів у вакуумній упаковці.
- На харчових контейнерах та пакетах, у яких будуть зберігатися висушені продукти,

УКРАЇНЬСКА

- зробіть позначку з назвою продукту та поставте дату сушіння.
- Щоб запобігти псуванню продуктів, періодично перевіряйте, чи не утворилася волога у упаковках з сушеними продуктами. Виявивши вологу, повторно висушіть продукти.
 - Зберігаєте продукти в сухому прохолодному місці. Оптимальна температура для зберігання сушених продуктів має бути не вище 15°C. Для зберігання сушених продуктів використовуйте холодильне або морозильне відділення холодильника.
 - В порівнянні з овочами фрукти містять більше цукру і кислот, тому більш придатні для сушіння і зберігання. Регулярно перевіряйте стан сушених продуктів.
 - Зберігайте сушені фрукти, овочі, зелень, лікувальні трави, горіхи та сухарі у холодильнику/морозильнику не більш 1 року.

ЧИЩЕННЯ ТА ДОГЛЯД

- Вимкніть сушарку, установивши перемикач режимів роботи (2) у положення «0», вийміть вилку мережного шнура з електричної розетки та дайте пристрою остигнути.
- Вимийте секції (4) та основу (5) теплою водою з нейтральним мийним засобом та просушіть.
- Забороняється використовувати для чищення кришки з моторним блоком (1), секцій для сушіння (4) та основи (5) абразивні мийні засоби або розчинники.
- Кришку з моторним блоком (1) протріть м'якою, злегка вологою тканиною, потім витріть насухо.
- Не занурюйте кришку з моторним блоком (1) у воду або у будь-які інші рідини. Не допускайте потрапляння води у вентиляційні отвори кришки моторного блоку (1).

ЗБЕРІГАННЯ

- Перед тим як забрати пристрій на зберігання, здійсніть чищення пристрою.
- Для зменшення габаритів при зберіганні сушарки переверніть секцію для сушіння з ручками та помістіть її в основу (5), далі переверніть секцію без ручок, помістіть її у секцію без ручок і далі у тій же послідовності, накрийте секції для сушіння (4) кришкою з моторним блоком (1).
- Зберігайте пристрій у сухому прохолодному місці, недоступному для дітей.

Комплект постачання

Сушарка – 1 шт.
Інструкція з експлуатації – 1 шт.

Технічні характеристики

Напряг живлення: 220-240 В ~ 50 Гц
Потужність: 300 Вт
Об'єм: 10 л

Виробник залишає за собою право змінювати характеристики пристроїв без попереднього повідомлення

Термін служби приладу – 3 роки

Гарантія

Докладні умови гарантії можна отримати в дилера, що продав дану апаратуру. При пред'явленні будь-якої претензії протягом терміну дії даної гарантії варто пред'явити чек або квитанцію про покупку.



Даний продукт відповідає вимогам Директиви 2014/30/ЄС щодо електромагнітної сумісності та Директиви 2014/35/ЄС щодо низьковольтного обладнання.

ЖАШЫЛЧАЛАР ЖАНА МӨМӨ-ЖЕМИШТЕРИН КУРГАТКЫЧЫ VT-5056 W

Электрикалык кургаткычы колдонуп сиз жашылчаларды, мөмө-жемиштерди кургатып, этти, балыкты сүрсүтүп, дары же жыттуу чөптөрдү, ар кыл күлдөрдү ж.б. кургатсаңыз болот.

СЫПАТТАМА

1. Капкак мотор сапсалгысы менен
2. «0-1-2» иштөө режимдердин которгучу
3. Вентиляция тешиктери
4. Кургатуу үчүн секциялары
5. Түбү

КӨҮЛ БУРУҢУЗДАР!

Кошумча коргонуу үчүн ванна бөлмөсүндөгү электр тармагында потенциалдуу иштеткен тогу 30 МА ашырбаган коргоп өчүрүүчү аспабын орнотуу максатка ылайыктуу. Аспапты орнотуу үчүн адиске кайрылыңыз.

КООПСУЗДУК ЧАРАЛАРЫ

Электр шайманды пайдалануудан мурун колдонмону көңүл коюп окуп-үйрөнүп, маалымат катары сактап алыңыз.

Шайманды тике дайындоо боюнча гана, ушул колдонмодо жазылганга ылайыктуу колдонуңуз. Шайманды туура эмес пайдалануу анын бузулуусуна, колдонуучуга же колдонуучунун мүлкүнө зыян келтирүүгө алып келиши мүмкүн.

- Шайманды иштеткенден мурун шаймандын иштөөчү чыңалуусу электр тармагынын чыңалуусуна ылайык болгонун текшерип алыңыз.
- Шайманды тике дайындоо боюнча гана колдонуп, жыйынтыгына кирген аксессуарларды гана пайдаланыңыз.
- Шайманды жылуулуктун, нымдуулуктун булактарынан, тике күн нурунан алыс ысыка чыдамдуу тегиз туруктуу беттин үстүнө орнотуңуз.
- Шайманды азроолдорду чачкан же жеңил жалындап кетүүчү суюктуктар колдонулган жерлерде колдонуңуз.
- Шайманды имараттардын сыртында колдонуңуз.
- Шайманды иштеткенде электр шурун толук узундугуна жандырууну сунуш кылабыз.
- Электр шурун:
 - ысык буюмдарга тийгизбей,
 - учтуу кырлардын үстүнөн тартпаңыз.

- Кубаттуучу сайгычын электр розеткасынан сурганда, электр шурунун кармап эч качан тартпаңыз, сайгычынан гана кармаңыз.
- Кубаттуучу сайгычын суу колуңуз менен кармабаңыз.
- Иштеп турган шайманды эч качан кароосуз калтырбаңыз.
- Шайманды ваннага же суу толтурулган раковинага түшө турган жерлерге салбаңыз да ошол жерлерде сактабаңыз, шайманды сууга же башка суюктука салбаңыз.
- Шайман сууга түшкөн болсо, токтоосуз кубаттуучу сайгычты розеткадан суруп, андан кийин гана шайманды суудан чыгарсаңыз болот.
- Шаймандын вентиляциялоо тешиктерине суу киргенине жол бербейиз.
- Балдардын коопсуздугу үчүн таңгак катары колдонулган полиэтилен баштыктарды кароосуз таштабаңыз.

Көңүл буруңуздар! Полиэтилен баштыктар же таңгак пленкасы менен ойногонго балдарга уруксат бербейиз. **Тумчуктуруунун коркунучу бар!**

- Шайман иштеген учурда балдарга шаймандын корпусун, электр шурун жана кубаттуучу сайгычын тийгенге уруксат бербейиз.
- Шайманды оюнчук катары колдонбоо үчүн балдарга көз салыңыз.
- Шайман иштеп турган учурда жанында балдар же жөндөмдүүлүгү төмөн адамдар бар болгондо өзгөчө абайлап туруңуз.
- Бул шайман балдар колдонгону үчүн арналган эмес.
- Шайман иштеп турганда же иштөө циклдердин арасында аны балдар жетпеген жерде сактаңыз.
- Бул шайман дене күчү, сезими же акыл-эси жагынан жөндөмдүүлүгү төмөн (ошонун ичинде балдар да) адамдар же колдонуу боюнча тажрыйбасы же билими жок болгон адамдар, эгерде алардын коопсуздугуна жооптуу адам аларды көзөмөлдөп же шайманды колдонуу жөнүндө инструкциялаган болбосо колдонуу үчүн ылайыкташтырылбаган.
- Шаймандын ысык беттерин тийбейиз.
- Иштеген учурда кургатуу секциялары ысыйт. Аларды чечкенден мурун муздаганга убакыт бериңиз.
- Шаймандын ар кыл тешиктерине башка буюмдарды салбаңыз.
- Шаймады колдонгондон кийин жана тазалоонун алдында ар дайым электр тармагынан ажыратыңыз.

КЫРГЫЗ

- Электр шнурунда, кубаттануучу сайгычында бузулуулар пайда болсо, аспап иштеп-иштебей турса же кулап түшкөндөн кийин аны колдонууга тыюу салынат.
- Шайманды өз алдынча оңдогонго тыюу салынат. Шайманды өз алдынча ажыратпай, ар кыл бузулуулар пайда болгон же шайман кулап түшкөн учурларда аны розеткадан суруп, кепилдик талонундагы же www.vitek.ru сайтындагы тизмесине кирген автордоштурулган (ыйгарым укуктуу) тейлөө борборуна кайрылыңыз.
- Айлана чөйрөөнү сактоо максатында шаймандын колдонуу мөөнөтү бүткөндөн кийин аны турмуштук калдыктары менен чогуу ыргытпай, утилизациялоо үчүн адистештирилген пунктуна тапшырыңыз.
- Бузулуулар пайда болбоо үчүн шайманды заводдук таңагында гана транспорттоо зарыл.
- Шайманды балдар жетпеген жеринде сактаңыз.

АСПАП ТУРМУШ-ТИРИЧИЛИК КОЛДОНУУГА ГАНА АРНАЛГАН

БИРИНЧИ КОЛДОНУУНУН АЛДЫНДА

Төмөндөгөн температурада шайманды транспорттоодон же сактоодон кийин аны үч сааттан кем эмес мөөнөткө үй температурасында сактоо зарыл.

- Шаймандын иштөөсүнө тоскоолдук кылган ар кыл таңгак элементтерин жана чаптамаларын алып салыңыз.
- Шаймандын иштөө чыңалуусу электр тармагындагы чыңалуусуна ылайык болгонун текшериниз.
- Кургатуу үчүн секциялары (4) менен түбүн (5) нейтралдуу жуучу каражат менен жылуу сууга жууңуз да кылдаттык менен кургатып салыңыз.
- Мотор сапсалгысы менен капкакты (1) бир аз нымдуу чүпүркөк менен сүртүп, андан кийин кургатып сүртүңүз.

Көңүл буруңуз! Мотор сапсалгысы менен капкакты (1) сууга же башка ар кыл суюктуктарга салууга тыюу салынат. Вентиляция тешиктерине (3) суу куюлуусуна жол бербейиз.

КОЛДОНУУ

- Түбүн (5) ысыка чыдамдуу тегиз туруктуу беттин үстүнө коюңуз.
- Түбүнө (5) туткалары бар кургатуу үчүн секциясын орнотуп, анын үстүнө туткалары

жок секциясын коюп, андан ары ошондой эле удаалаштыгында улантыңыз. Эң акырында туткалары жок кургатуу үчүн секциясын коюу зарыл.

- Кургатуу үчүн секциялардын (4) үстүнө мотор сапсалгысы менен капкактын (1) орнотуңуз.
- Кубаттуучу сайгычты электр розеткасына сайыңыз.
- Азыктарды салбай, кургаткычты 30 минутага жакын мөөнөттүн ичинде иштетиңиз, ал үчүн иштөө режимдердин которгучун (2) «2» абалына коюңуз.

Эскертүү: *шайманды биринчи жолу колдонгондо ысытуучу элементи иштегенинде башкача жыт пайда болуу мүмкүн, бул нормалдуу көрүнүш.*

- Иштөө режимдердин которгучун (2) «0» абалына коюп, кургаткычты өчүрүңүз.
- Кургатуунун алдында азыктарды жууп, кургатып, кичиреек кесимдерге туурап кесүү зарыл.
- Азыктарды кургатуу үчүн секцияларына (4) ысык аба кесимдердин арасында бош өткөндөй кылып жайып салыңыз. Ысык аба секцияларда (4) бош айлангандын керектигин эске тутуңуз.
- Кургаткычты иштетиңиз, ал үчүн иштөө режимдердин которгучун (2) «1 же 2» абалына коюңуз.
- Азыктардын кесимдери жука жана кичине болсо «1» кургатуу режимин коюңуз. - Чоң жана калың кесимдери үчүн «2» кургатуу режимин коюңуз.

Эскертүү:

- *кургаткыч абанын табигый конвекциясы негизи менен иштейт, ошол себептен төмөнкү секцияларда жайгашкан азыктар ысыгыраак жана кургагыраак абанын таасирин алып, батыраак кургайт;*
- *кургатуунун эң жакшы натыйжасы үчүн нымдуурак ингредиенттерди төмөнкү секцияларга салып, төмөнкү секциялар менен үстүнкү секцияларды алмаштырып туруу сунуш кылынат;*
- *секцияларды алмаштыруунун алдында иштөө режимдердин жөндөгүчүн (2) «0» абалына коюп, шайманды өчүрүңүз, кубаттуучу сайгычын розеткасынан суруңуз, мотор сапсалгысы менен капкакты (1) чечиңиз, андан соң секцияларын (4) алмаштырыңыз;*
- азыктарды кургатып бүткөндөн кийин иштөө режимдердин которгучун (2) «0» абалына коюп, шайманды өчүрүңүз да кубаттуучу сайгычын розеткадан суруңуз.

Эскертүү:

- азыктардын даярдыгын ар саат сайын текшерип туруңуз;
- азыктар текши эмес кургатылып турса, аларды текши кургатуу үчүн ингредиенттерди аралаштырып же секциялардын (4) ордун алмаштырсаңыз болот;
- ар ингредиенттин кургатуу мөөнөтү сапатына, өлчөмүнө жана имараттагы температурасы менен салыштырмалуу нымдуулугуна байланыштуу болуп, өзүнчө аныкталат;
- шаймандын жана кургатылган азыктардын муздаганына убакыт бериңиз;
- даяр ингредиенттерди пакет жана банкаларга салып, сактоо жерине алып салыңыз («Азыктарды сактоо» бөлүгүн караңыз).

РЕКОМЕНДАЦИЯЛАР

Азыктар менен уулануу же ичеги ооруларынан сакталуу үчүн төмөнкү рекомендацияларды тыкандык менен сактаңыз.

- Азыктарды кургатууга даярдагандын алдында колуңузду жакшылап жууңуз.
- Иштөө беттердин тазалыгын сактаңыз. Кургаткычты колдонгондон кийин ар дайым секцияларын (4) нейтралдуу жуучу каражат менен жылуу сууга жууңуз. - Колуңузду кесиктер, жаралар бар болсо же тери ооруларыңыз бар болсо азыктарды колуңуз менен тийбеңиз.
- Азыктардын даярдыгын текшергенде аларды колуңуз менен тийбей, вилка, ашкана күрөгүн же башка буюмдарды колдонуңуз.
- Кургаткычты иштетүү мезгилинде үй жаныбарларды ашканага киргизбеңиз.

Кургатуу үчүн жашылчаларды жана мөмө-жемиштерди таңдоо

- Жаңы жашылчаларды жана мөмө-жемиштерди гана колдонуңуз.
- Бышкан жемиштер гана кургатууга ылайык болот, бышпаган жемиштер башкача даамын тартып алышы мүмкүн.
- Өтө бышкан жемиштер кургатылгандан кийин өңүн алмаштырышы мүмкүн.
- Болгон бузулган жерлерин кесип алыңыз.
- Жашылчаларда мөмөлөргө караганда азыраак шекерлер менен кычкылдыктары бар болуп, алардын бардыгы эмес кургатууга ылайыктуу болот. Кээ бир жемиштерди, мисалы, брокколи

менен спаржаны, кургатпай тоңдуруусу кеңеш берилет.

- Жемиштер кургак жана катуу болгондо даяр болот.

Азыктарды даярдатуу

- Азыктарды жакшылап жууңуз.
- Мөмөлөрдүн данектерин жана бузулган жерлерин алып салыңыз.
- Керек болсо, жашылчалардын катуу кабыгын алып салыңыз. Жемиштер мом менен капталган болсо, кабыгын милдеттүү түрдө алыңыз.
- Мөмөлөрдүн сабактарын алып салыңыз.
- Жашылчаларды жана мөмө-жемиштерди тилимдерге же кубиктерге туурап салыңыз.
- Бөрүлөрдү жана жүзүмдү толук бойдон кургатыңыз.
- Жашылча чөптөрдү жана жыттуу чөптөрдү сабагы менен кургатыңыз.
- Азыктардын даамын өзгөртүү жана сактоо мөөнөтүн узартуу үчүн аларды кургатуудан мурун иштетсеңиз болот. Бул милдеттүү кадам эмес.
- Азыктарды алдын ала иштетүү менен жана алдын ала иштетпей кургатып көрүп, сиз үчүн ылайык болгон жолун таңдаңыз.

Мөмөлөрдү алдын ала иштетүү

- Мөмөлөрдүн табигый өңүн сактоо үчүн ананас, лимон, апельсин же лаймдин ширесин колдонуңуз. Мөмөлөрдүн кесимдерин 2 минутага ширенин ичине салып, андан кийин аларды бир аз кургатып, кургаткычтын секцияларына (4) жайып салыңыз.
- Мөмөлөрдүн даамын күчөтүү үчүн кургатылып турган мөмөлөрдүн табигый ширесин (мисалы, алма ширени алмалар үчүн) колдонуңуз. Чынынын төрттөн бир бөлүгү ширени эки чыны сууга аралаштырып, мөмөлөрдү эритмеде эки саатка чылап салыңыз.
- Кээ бир мөмөлөр (курма, жүзүм, клюква, кара өрүк ж.б.) табигый мом менен капталган. Момду кетирүү жана кургатуу процессин ылдамдатуу үчүн азыктарды 1-2 минутага кайнаган сууга салыңыз.

Жашылчаларды алдын ала иштетүү

Жашылчаларды алдын ала иштетүү кургатуу жана сактоо убагында даамын өзгөрткөн ферменттерди кыйратат. Жашылчаларды буулатуу же микротолкундуу меште иштетүү ысык суу менен иштетүүгө карата артык болот.

КЫРГЫЗ

- Жемиштерди буу менен бышыруу аспаптын үстүнкү табагына салып, 2-3 минутанын ичинде ысытып туруңуз. Жемиштерди токтоосуз секциялардын (4) үстүнө жайып салыңыз.
- Микротолкундуу мештин ичинде колдонууга ылайык идишке жашылчаларды салып, бир аз суу кошуңуз. Идишти капкагы менен жабып, микротолкундуу мештин ичине салыңыз. Сиздин микротолкундуу мештин колдонмосунда жазылган бышыруу мөөнөтүнүн жарымын түзгөн мөөнөттү коюңуз. Даяр жашылчаларды секциялардын (4) үстүнө жайып салыңыз.
- Кесилген жашылчаларды кайнаган сууга салып, 3-4 минутадан кийин кагаз сүлгүсү менен кургатып, секциялардын (4) үстүнө жайып салыңыз.

КУРГАТУУНУН МӨӨНӨТҮ

Ар ингредиенттин кургатуу мөөнөтү азыктардын сапаты менен өлчөмүнө жана имараттын ичиндеги температурасы менен салыштырмалуу нымдуулугуна байланыштуу болуп, өзгөчө аныкталат.

Жашылчалар жана мөмөлөр үчүн кургатыкчы колдонуу сайын кургатуунун керектүү мөөнөтүн өзүңүз таңдасаңыз болот.

Даяр мөмөлөр жумушак, нымдуулугу жок болуу зарыл. Өтө кургатылган мөмөлөр жаманыраак сакталып, тамактануу заттары аз болот.

Кургатылган жашылчалар катуу жана сынма болуу зарыл.

Эскертүү: *Бир жолу иштетүү циклинде сиз азыктарды кургатып бүтпөсөңүз, ыңгайлуу убакытта кургатууну улантсаңыз болот. Ошол учурда азыктарды кургатыкчы секцияларында (4) имарат температурасына чейин муздатып, азыктарды пакеттерге же азык контейнерлерине салып, муздатыкчытын тоңдургуучуна салыңыз.*

КОШУМЧА МУМКУНЧУЛУКТӨРҮ

Чөптөр, күлдөр, жыттуу чөптөр

- Дээрлик бардык чөптөр кургатууга ылайыктуу.
- Жыттуу чөптөрдү сабагы менен кургатыңыз, кургаткандан кийин жалбырактарын сабагынан ажыратыңыз.
- Чөптөр жакшы кургаганын текшериниз, андай болбосо чирип бузулуу процесси башталышы мүмкүн.
- Кургатылган күлдөрдү атырдуу сашелерди жасоо үчүн пайдалансаңыз болот.

Эт жана балыкты кургатуу

- Чийки жана бышкан этти же балыкты кургатсаңыз болот. Этти жана балыкты алдын ала иштетүү сиздин ден-соолугуңузду сактап, милдеттүү түрдө жасалуу зарыл.
- Сүрсүгөн эт же балык суюк же коюу тамак бышыруу үчүн колдонулса болот. Колдонгондун алдында аны сууга же сорпого бир саатка чылап салыңыз.
- Майы жок арык этти (уй же тоок этин) жана жаңы балыкты кургатуу үчүн таңдаңыз.
- Балыкты же этти алдын ала маринаддап же бышырып салыңыз.

Маринаддын рецепти:

- 0,5 чыны соя чыгы
- 1 чай кашык тууралган сарымсак
- 2 чоң кашык томат пастасы
- 1,25 чай кашык туз
- 0,5 чй кашык тарттырылган калемпир

Этти сүрсүтүү

Уй этин талчанын туурасынан майда кесимдерге бөлүңүз. Эт кесимдерин маринадга 3 саатка чылап, андан кийин чыгарып кургатып салыңыз. Кесимдерди кургатуу секциялардын үстүнө жайып, 8-15 сааттын ичинде кургатып туруңуз. Сүрсүгөн этти герметикалык таңгагында үй температурасында 2 жумадан ашпаган мөөнөткө, муздатыкчыта болсо – 3 айдан ашпаган мөөнөткө сактаңыз.

Балыкты сүрсүтүү

Сүрсүтүү үчүн тоңдурулган балыкты колдонбоңуз. Кылкандарын чыгарып, балыкты кесиңиз. Балыкты туз эритмесине (жарым чыны туз 1 литр сууга) салып 30 минутага муздатыкчыка салыңыз, балык кесимдерин чыгарып, кургатып салыңыз. Балык кесимдерин табака салып, үстүнө туз менен жыттуу чөптөрүн себиңиз (туздун 1 чай кашыгы 1 кг балыкка). Табактын үстүн жабып, муздатыкчыка 6 саатка салыңыз.

Балык кесимдерин кургатуу секцияларына (4) салып, суусу сыгып бүткөнүнө чейин кургатып туруңуз. Балыкты муздатыкчыта 3 айдан ашпаган мөөнөткө сактаңыз.

Бышкан балык же этти кургатуу

Этти же балыкты алдын ала бышырыңыз. Майды алып салып, кубиктерге кесип алыңыз. Даяр болгонуна чейин кургатыңыз. Герметикалык таңгакта үй температурасында 2 жумадан ашпаган мөөнөткө, муздатыкчыта болсо – 3 айдан ашпаган мөөнөткө сактаңыз.

Азыктарды сактоо

Кургатылган азыктарды туура таңгактоо сактоо мөөнөтүн узартат.

- Кургатуудан кийин азыктарды муздатып салыңыз, андан кийин герметикалык пластик баштыктарга салыңыз. Азыктарды вакуум таңгагында сактоосу эк жакшы натыйжаны берет.
- Азыктар сактала турган контейнерлерде же баштыктарда азыктын атын жана кургаткан датасын коюңуз.
- Азыктар бузулбоосуна жол бербөө үчүн кургатылган азыктардын таңгында ным пайда болбогонун мезгилдүү түрдө текшерип туруңуз. Ным пайда болсо, азыктарды кайра кургатыңыз.
- Азыктарды караңгы салкын жерде сактаңыз. Кургатылган азыктарды оптималдуу сактоо температурасы 15°C жогору болбоо зарыл. Кургатылган азыктарды муздаткычтын муздатуу же тоңдуруу бөлүгүндө сактаңыз.
- Жашылчаларга карата, мөмөлөрдө көбүрөөк шекер жана кычкылтектери бар, ошол үчүн алар кургатуу жана сактоого ылайыктуураак. Кургатылган мөмөлөрдүн абалын мезгилдүү түрдө текшерип туруңуз.
- Кургатылган мөмө, жашылча, дары чөп, жаңгак жана нанды муздаткычта/тоңдургучта бир жылдан ашпаган мөөнөткө сактаңыз.

ТАЗАЛОО ЖАНА КАРОО

- Иштөө режимдердин которгучун (2) «0» абалына коюп, шайманды өчүрүңүз да кубаттуучу сайгычын розеткадан суруп, шаймандын муздаганына убакыт бериңиз.
- Секциялары (4) менен түбүн капкагын (5) нейтралдуу жуучу каражаты менен жылуу сууга жууп, кургатып алыңыз.
- Мотор сапсалгысы менен капкагын (1), кургатуу үчүн секцияларын (4) же түбүн (5) тазалоо үчүн абразивдүү жуучу каражаттарды же эриткичтерди колдонууга тыюу салынат.
- Мотор сапсалгысы менен капкагын (1) жумшак бир аз нымдуу чүпүрөк менен сүртүп, кургатып сүртүңүз.

- Мотор сапсалгысы менен капкагын (1) сууга же башка ар кыл суюктуктарга салбаңыз. Мотор сапсалгысынын (1) вентиляциялоо тешиктерине суу кирүүгө жол бербейиз.

САКТОО

- Шайманды сактоо жайына алып салуунун алдында аны тазалап алыңыз.
- Кургаткычты сатоо мезгилинде тыш өлчөмүн азайтуу үчүн туткалары бар кургатуу үчүн секциясын көмкөрүп, түбүнүн (5) ичине салыңыз, андан ары туткалары жок секциясын көмкөрүп, аны туткалары жок секциянын ичине салңыз, андан ары ошол удаалаштыгында улантыңыз да кургатуу үчүн секцияларын (4) мотор сапсалгысы менен капкагы (1) менен жабыңыз.
- Шайманды балдардын колу жетпеген кургак салкын жерде сактаңыз.

Жабдыктын жыйынтыгы

Кургаткыч – 1 даана.

Колдонмо – 1 даана.

Техникалык мүнөздөмөсү

Кубаттандыруу чыңалуусу: 220-240 В ~ 50 Гц

Кубаттуулугу: 300 Вт

Көлөмү 10 л

Өндүрүүчү шаймандардын дизайнин жана техникалык мүнөздөмөлөрүн алдын ала эскертпей өзгөртүү укугун сактайт.

Шаймандын кызмат мөөнөтү – 3 жыл

Кепилдик

Кепилдик берүү шарттары тууралуу толук маалыматтар буюмду саткан сатуучудан алууга болот. Кепилдик шарттарына ылайык талап кылып сатылган товарга чек же дүмүрчөктү көрсөтүү керек.



GB

A production date of the item is indicated in the serial number on the technical data plate. A serial number is an eleven-unit number, with the first four figures indicating the production date. For example, serial number 0606xxxxxx means that the item was manufactured in June (the sixth month) 2006.

RUS

Дата производства изделия указана в серийном номере на табличке с техническими данными. Серийный номер представляет собой одиннадцатизначное число, первые четыре цифры которого обозначают дату производства. Например, серийный номер 0606xxxxxx означает, что изделие было произведено в июне (шестой месяц) 2006 года.

KZ

Бұйымның шығарылған мерзімі техникалық деректері бар кестедегі сериялық нөмірде көрсетілген. Сериялық нөмір он бір саннан тұрады, оның бірінші төрт саны шығару мерзімін білдіреді. Мысалы, сериялық нөмір 0606xxxxxx болса, бұл бұйым 2006 жылдың маусым айында (алтыншы ай) жасалғанын білдіреді.

UA

Дата виробництва виробу вказана в серійному номері на табличці з технічними даними. Серійний номер представляє собою одинадцятизначне число, перші чотири цифри якого означають дату виробництва. Наприклад, серійний номер 0606xxxxxx означає, що виріб був виготовлений в червні (шостий місяць) 2006 року.

KG

Буюм иштеп чыгарылган датасы сериялык номурунда техникалык маалыматтар жадыбалында көрсөтүлгөн. Сериялык номуру он бир орундуу сан болот, анын биринчи төрт саны өндүрүш датасын көрсөтөт. Мисалы, сериялык номуру 0606xxxxxx болгон буюм 2006 жылдын июнине (алтынчы айында) өндүрүлгөн.



ЗАПРЕЩЕНО УТИЛИЗИРОВАТЬ
С БЫТОВЫМ МУСОРОМ.
ОБРАТИТЕСЬ НА СООТВЕТСТВУЮЩИЙ
ПУНКТ ПЕРЕРАБОТКИ ЭЛЕКТРИЧЕСКОГО
И ЭЛЕКТРОННОГО ОБОРУДОВАНИЯ.